

cFloat 

USER'S GUIDE (V1.4)

September 2018

ATTENTION: Please read carefully and save this cFloat User's Guide in a safe place.

WE TAKE YOUR PRIVACY SERIOUSLY

We are committed to being open and honest about how we use data. We will always ask for permission before sharing your personally identifiable information such as your email address. We also keep your data safe with industry-standard security tools.

Table of contents

Requirements

Meet your cFloat

cFloat System Setup

Operating Instructions

Safety and Alarm

Maintenance

Device Compatibility

Service and Support

Recycling and Disposal

About cFloat Measurements

Requirements..... 6

Meet your cFloat..... 7

 Inside the box..... 7

 cFloat Benefits..... 8

 The cFloat Buoy..... 9

 The cFloat Gateway.....10

 cFloat Home and Pool Monitoring System.....11

 The cFloat App.....12

cFloat System Setup.....13

 Step 1 - Plug in the cFloat Gateway.....14

 Step 2 - Remove the sensors' protection.....15

 Step 3 - Attach the Pool Cap to the cFloat Buoy..... 16

 Step 4 - Power-On the cFloat Buoy..... 17

 Step 5 - Download the cFloat App and Install the system.....18

 Step 6 - Place the cFloat Buoy in the swimming pool.....19

Operating Instructions.....20

Table of contents

Requirements

Meet your cFloat

cFloat System Setup

Operating Instructions

Safety and Alarm

Maintenance

Device Compatibility

Service and Support

Recycling and Disposal

About cFloat Measurements

Home.....20

Monitoring.....21

Settings.....22

Alarm.....23

Notifications.....24

Set Notifications.....25

Troubleshooting the Monitoring Function.....26

Fun with cFloat.....28

Wireless Charging Convenience.....31

Troubleshooting the Wireless Charging Functions.....33

Safety and Alarm.....34

 General Pool Safety Guidelines.....36

 cFloat Specific Pool Safety Guidelines.....37

Maintenance.....39

 Charging the cFloat Buoy Battery.....39

 Cleaning your cFloat.....43

Table of contents

Requirements

Meet your cFloat

cFloat System Setup

Operating Instructions

Safety and Alarm

Maintenance

Device Compatibility

Service and Support

Recycling and Disposal

About cFloat Measurements

Sensor Calibration..... 44

Resetting cFloat.....45

Device Compatibility.....46

Service and Support.....47

Recycling and Disposal.....48

About cFloat Measurements.....49

 Pool Water and Outdoor Air Temperature..... 49

 UV Index..... 50

 pH Index.....53

 Water ORP Index..... 54

 Indoor Air Temperature.....55

 Atmospheric Pressure..... 56

 Humidity..... 57

 Air Quality (TVOC and ECO2)..... 58

[Table of contents](#)[Requirements](#)[Meet your cFloat](#)[cFloat System Setup](#)[Operating Instructions](#)[Safety and Alarm](#)[Maintenance](#)[Device Compatibility](#)[Service and Support](#)[Recycling and Disposal](#)[About cFloat Measurements](#)

This guide covers the installation of the cFloat System.

For the cFloat System to work, the user must have:

- Wi-Fi and internet access
- An iOS or Android smartphone or tablet
- A cFloat Account (free to the cFloat user)

For proper setup and reliable operation, the cFloat Gateway requires good Wi-Fi connectivity at all times.

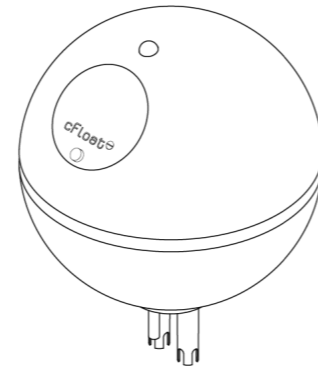
The cFloat Buoy and cFloat Gateway communicate with each other through a dedicated radio connection. The maximum distance between the pool and the gateway is 300 feet. The range can be affected by walls, trees, terrain, altitude, interfering radios and other obstacles.



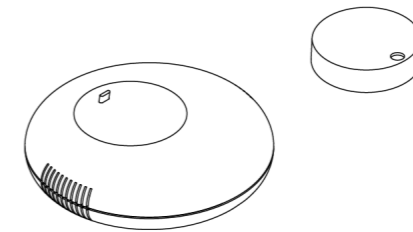
MEET YOUR CFLOAT

INSIDE THE BOX

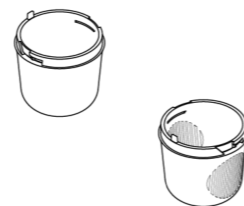
1 cFloat Buoy



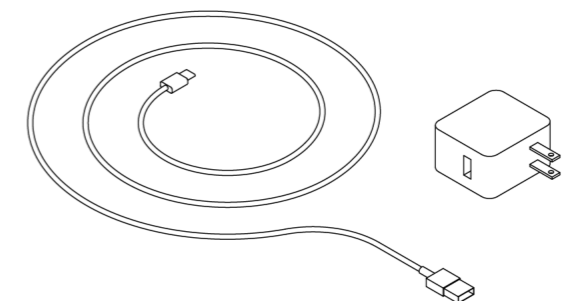
2 cFloat Gateway and cFloat Charger



3 Pool Cap and Storage Cap



4 Two power adapters and two USB cables



ATTENTION: Before attempting to use cFloat, you should read and carefully follow the instructions in the section of this cFloat User's Guide titled 'cFloat System Setup'.

Table of contents

Requirements

Meet your cFloat

cFloat System Setup

Operating Instructions

Safety and Alarm

Maintenance

Device Compatibility

Service and Support

Recycling and Disposal

About cFloat Measurements

Home

The gateway takes indoor measurements. It monitors the air temperature, humidity and air pressure. This data will help you maintain a comfortable temperature inside your home and will assist you in saving energy and money.

Health

The buoy measures UV radiation and will notify you when it is unhealthy to be outdoors. It also monitors pH and ORP levels in the pool to help you manage the water quality. The gateway monitors indoor air quality to assist you in preserving a healthy and safe environment.

Security

cFloat provides extra supervision around the pool; it triggers an alarm when it detects motion in the pool water.

Fun

cFloat puts the 'fun' in functionality by measuring the size of cannonballs and the quality of dives.

Wireless Charging

The cFloat Gateway charges devices by induction. You just need to place your Qi enabled smartphone or other device on top of the gateway – no need for charging cables.

THE CFLOAT BUOY

Table of contents

Requirements

Meet your cFloat

cFloat System Setup

Operating Instructions

Safety and Alarm

Maintenance

Device Compatibility

Service and Support

Recycling and Disposal

About cFloat Measurements

The cFloat Buoy is a monitoring system and a pool alarm. It's equipped with multiple sensors that provide measurements of your pool and the environment surrounding the pool. The alarm system uses a combination of sensors and proprietary algorithms to determine pool activity.

When the cFloat Buoy detects motion in the pool water, the cFloat Gateway triggers an audible alarm and an alert is sent to your connected devices.

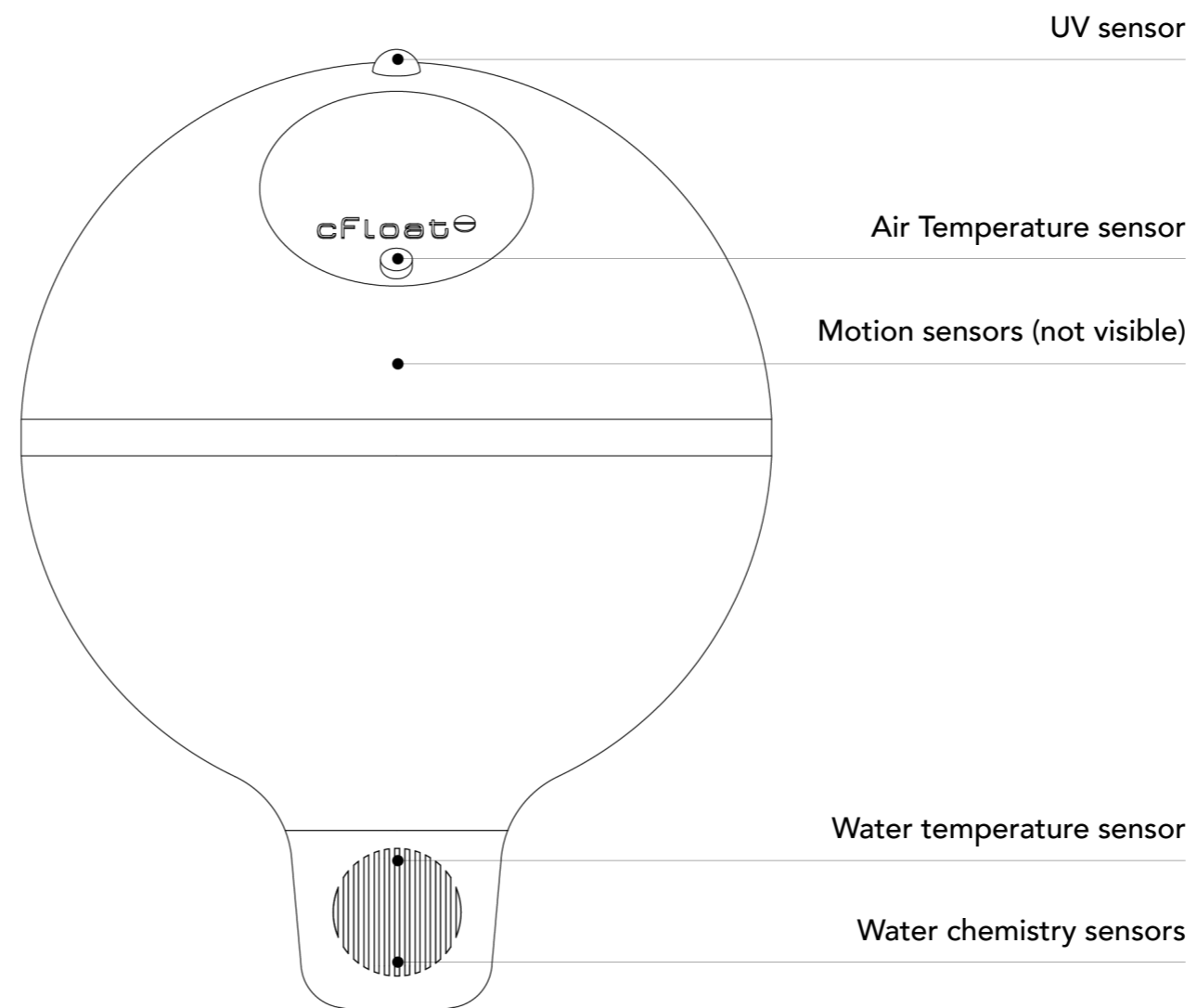


Table of contents

Requirements

Meet your cFloat

cFloat System Setup

Operating Instructions

Safety and Alarm

Maintenance

Device Compatibility

Service and Support

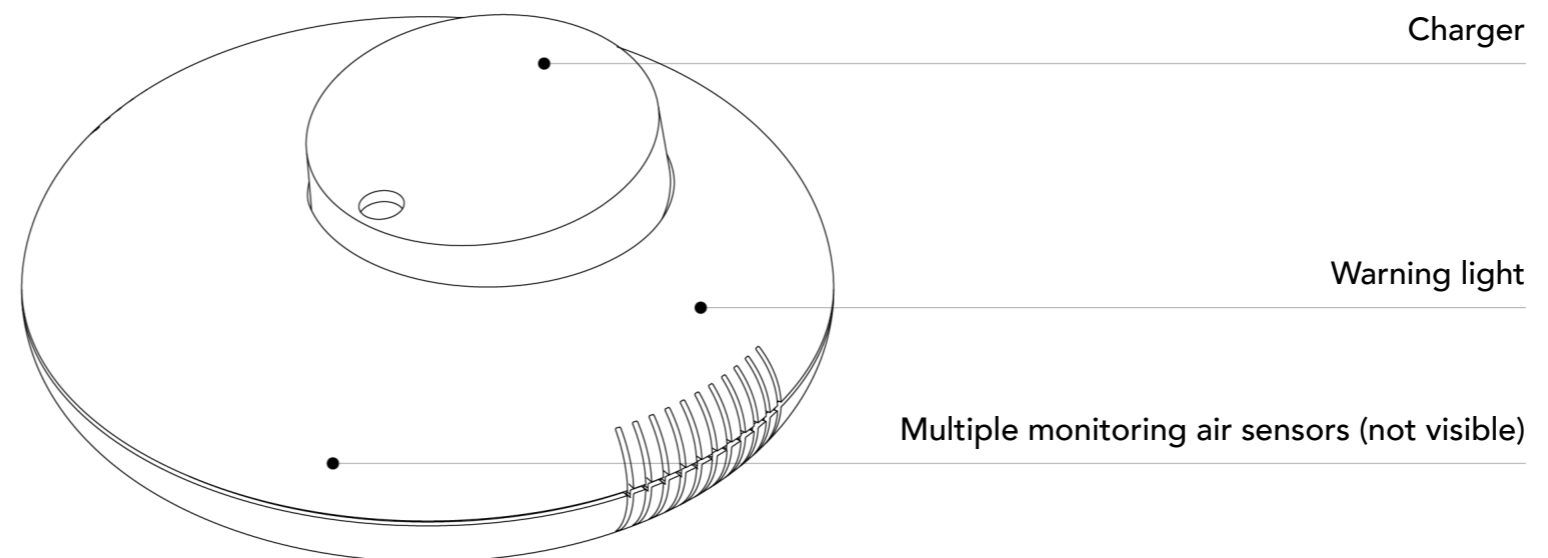
Recycling and Disposal

About cFloat Measurements

The cFloat Gateway is an indoor monitoring system and a wireless device charger. It is equipped with a temperature sensor, a humidity sensor, a pressure sensor and an air quality sensor that monitors indoor air quality.

The cFloat Gateway communicates with the cFloat Buoy and sends all collected data to the cloud so that you can access it whenever you want, wherever you are. Additionally, the gateway triggers an audible alarm when activity in the pool is detected.

You can charge any Qi-compatible device placed on top of the cFloat Gateway, thus simplifying the charging process.



CFLOAT HOME AND POOL MONITORING SYSTEM

Table of contents

Requirements

Meet your cFloat

cFloat System Setup

Operating Instructions

Safety and Alarm

Maintenance

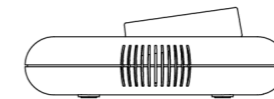
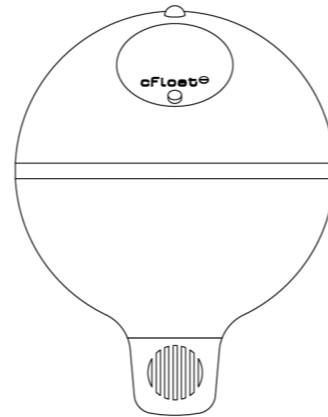
Device Compatibility

Service and Support

Recycling and Disposal

About cFloat Measurements

The cFloat System provides the following measurements:



UV Index



Air Temperature



Water Temperature



pH



ORP



Water Evaporation



Battery



Radio Signal



Air Quality



Humidity



Atmospheric Pressure



Air Temperature

Table of contents

Requirements

Meet your cFloat

cFloat System Setup

Operating Instructions

Safety and Alarm

Maintenance

Device Compatibility

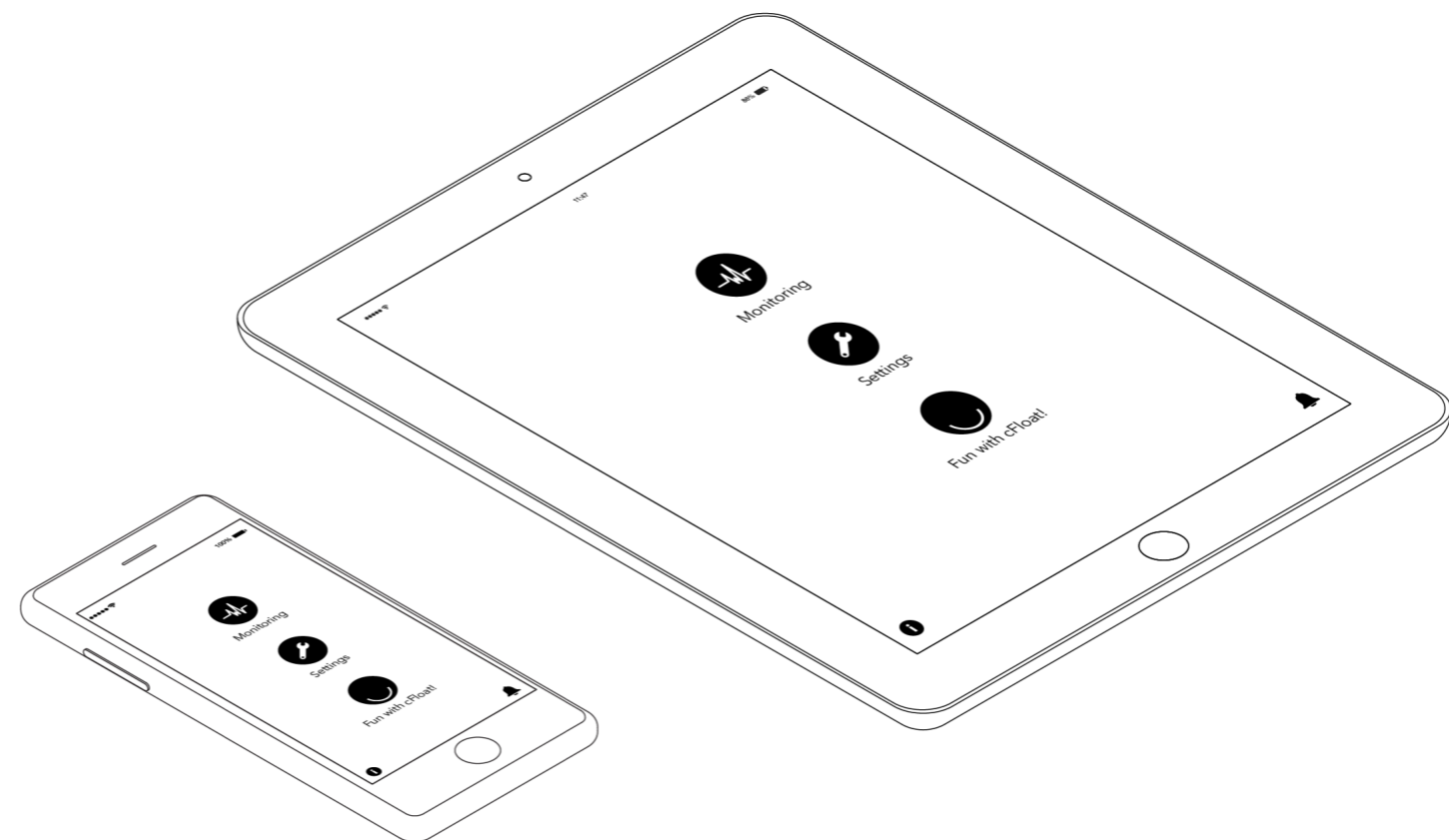
Service and Support

Recycling and Disposal

About cFloat Measurements

The cFloat App is a modern and easy-to-use application that displays the data collected by the cFloat System. The information is accessible in real time on your connected devices. With the cFloat App you can monitor your pool and home environment, manage settings, control the alarm function, and put more play in your pool use with the 'Fun with cFloat' feature.

You can use the cFloat App on iOS and Android devices.



[Table of contents](#)[Requirements](#)[Meet your cFloat](#)[cFloat System Setup](#)[Operating Instructions](#)[Safety and Alarm](#)[Maintenance](#)[Device Compatibility](#)[Service and Support](#)[Recycling and Disposal](#)[About cFloat Measurements](#)

The installation of the cFloat System should be carried out by a responsible adult.

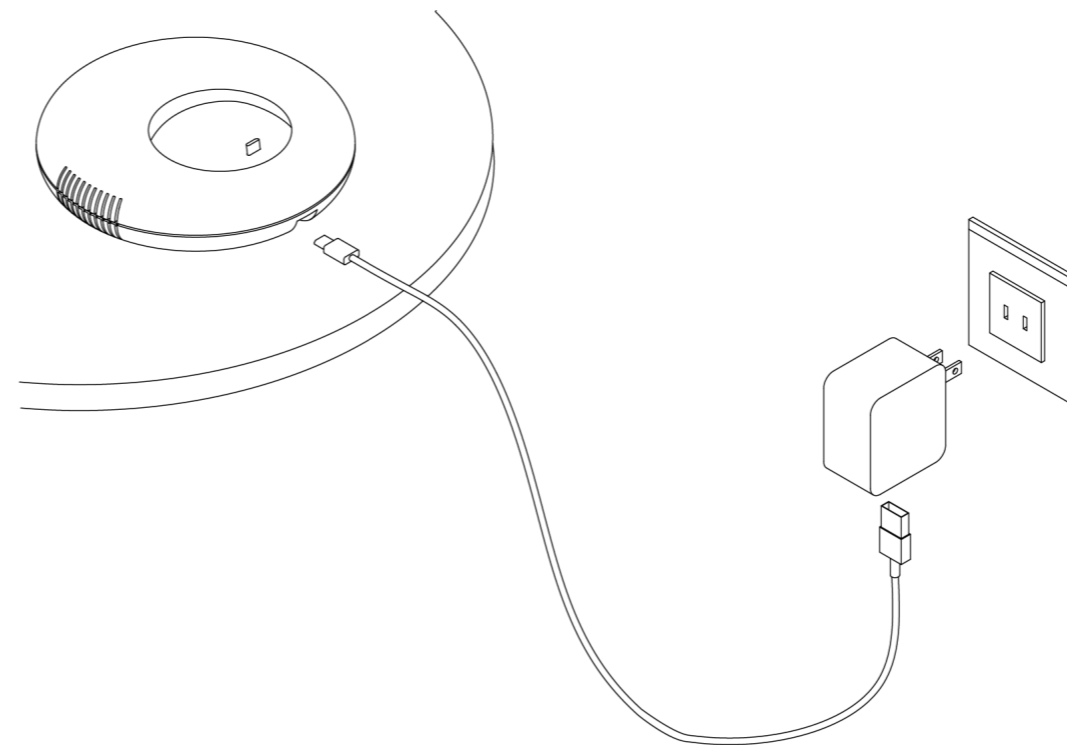
It is important to follow the next six steps to properly set up and configure the cFloat System:

1. Plug in the cFloat Gateway
2. Remove the sensors' protection
3. Attach the Pool Cap to the cFloat Buoy
4. Power-on the cFloat Buoy
5. Download the cFloat App and setup your account
6. Place the cFloat Buoy in the swimming pool

STEP 1 - PLUG IN THE CFLOAT GATEWAY

Place the cFloat Gateway in a room with reliable Wi-Fi connectivity. Connect one of the USB cables provided to the gateway; then connect the cable into one of the power adapters provided. Plug the power adapter into an electrical wall outlet.

It is recommended that you choose a place for the cFloat Gateway inside your home that is no more than 300 feet from the pool.



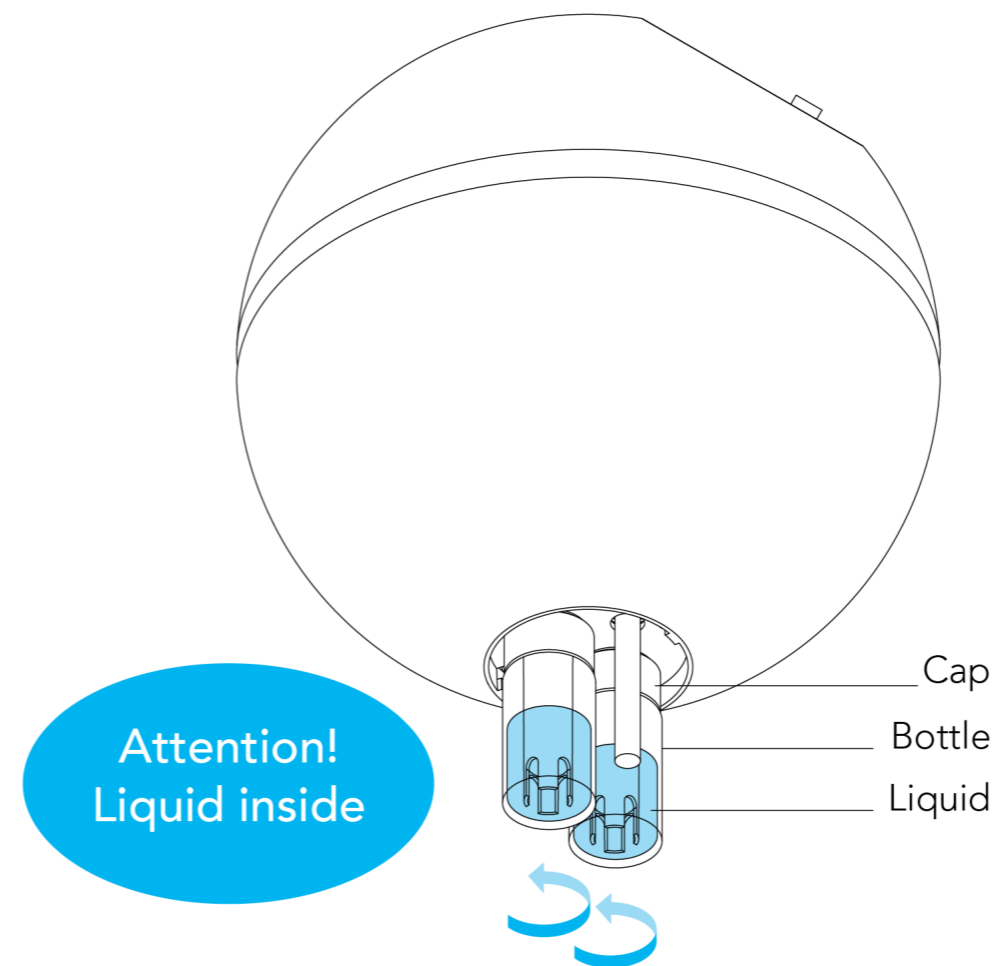
NOTE: To avoid variations in system performance, it is recommended that you use the cFloat USB cables and power adapters that were provided to you.

[Table of contents](#)[Requirements](#)[Meet your cFloat](#)[cFloat System Setup](#)[Operating Instructions](#)[Safety and Alarm](#)[Maintenance](#)[Device Compatibility](#)[Service and Support](#)[Recycling and Disposal](#)[About cFloat Measurements](#)

STEP 2 - REMOVE THE SENSORS' PROTECTION

Unscrew the first bottle from its cap and remove both bottle and cap from the sensor (do not pull the bottle from the sensor).

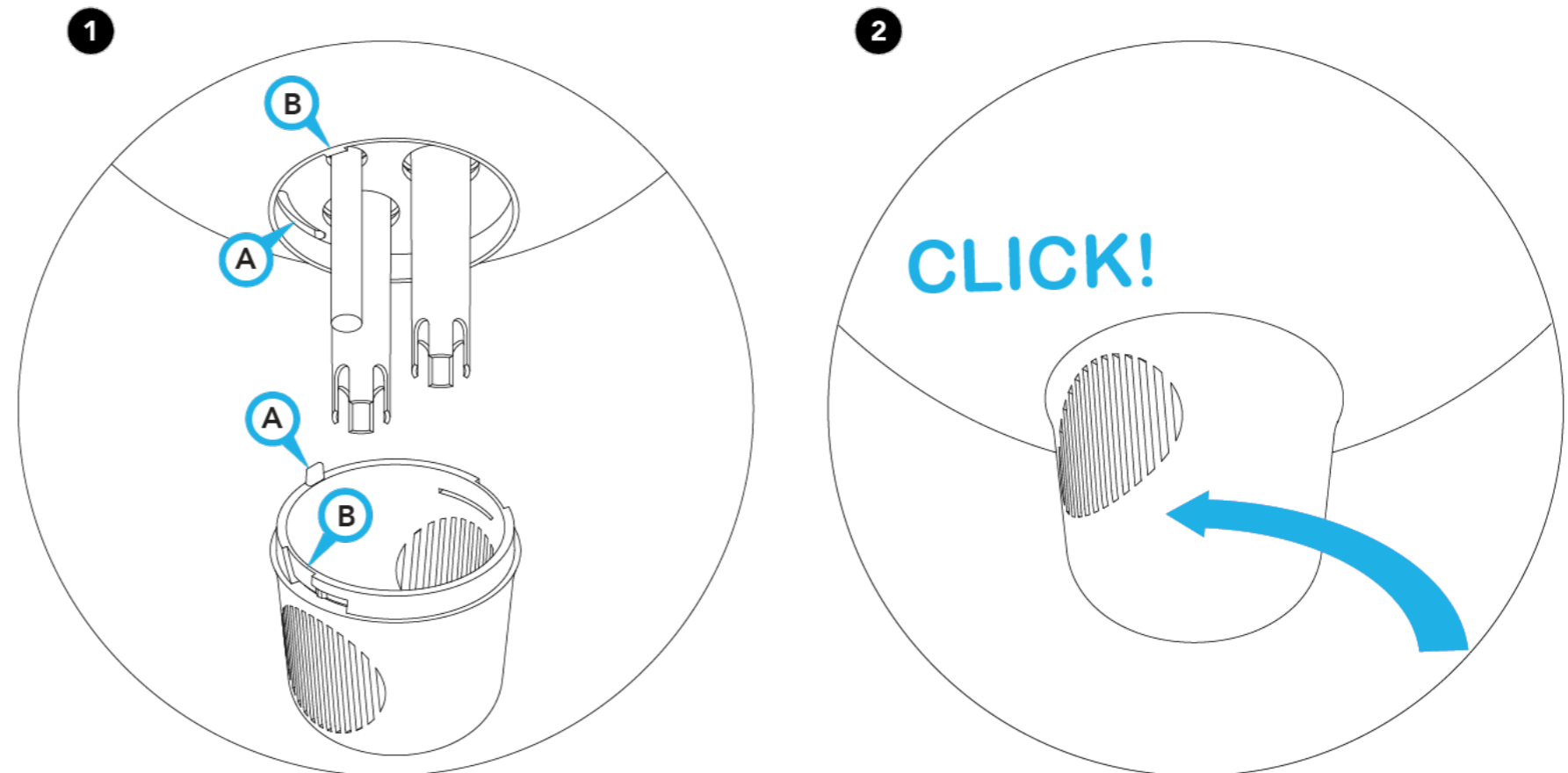
Repeat this process with the second bottle. Please be careful as the bottles contain liquid inside.



ATTENTION: Do not pull the bottle from the sensor.

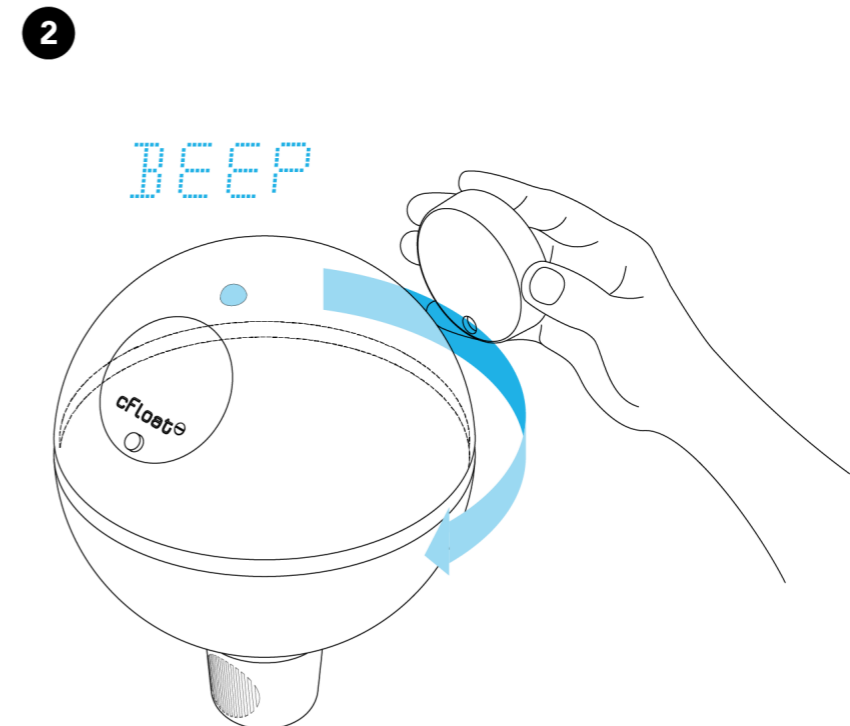
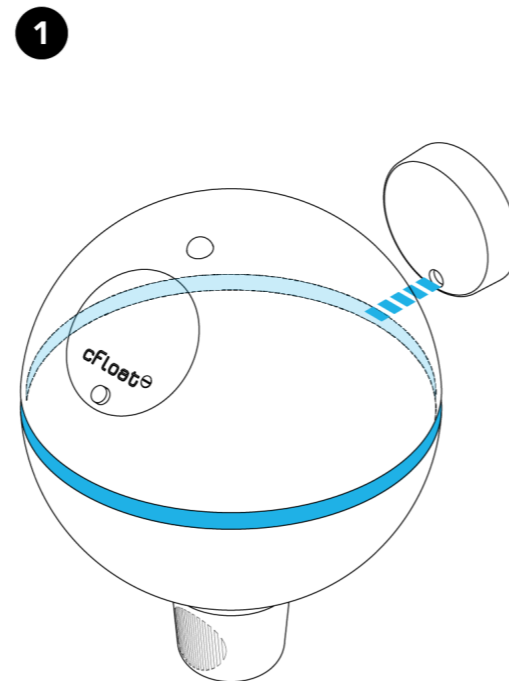
STEP 3 - ATTACH THE POOL CAP TO THE CFLOAT BUOY

Align the Pool Cap with the cFloat Buoy as shown in the picture. Rotate it slightly to the left until you feel it click.



STEP 4 - POWER-ON THE CFLOAT BUOY

To power on the cFloat Buoy align the cFloat Charger with the colored ring of the cFloat Buoy, using the cFloat Charger indentation as a reference. Hold the charger close to the colored ring and move it along the ring from the back of the buoy toward the front until you hear a beep and see the LED light up.



NOTE: Typically, you receive the cFloat System with enough battery power to switch on the cFloat Buoy. However, if you are not able to switch on the buoy, please proceed to the cFloat Buoy charging step.

STEP 5 - DOWNLOAD THE CFLOAT APP AND INSTALL THE SYSTEM

The free cFloat App is available in the Apple Store and on Google Play. Download it onto your smartphone or tablet, create an account and set up the system following the cFloat App instructions.

1. Create an account
2. Select the type of pool water treatment
3. Provide pool surface area and water volume information
4. Provide network ID and password
5. Provide a name that will help you identify your cFloat System
6. Allow cFloat to use the current GPS location
7. Connect to the cFloatsys Wi-Fi network
8. Test the communication between the cFloat Buoy and the cFloat Gateway
9. Validate your cFloat Account

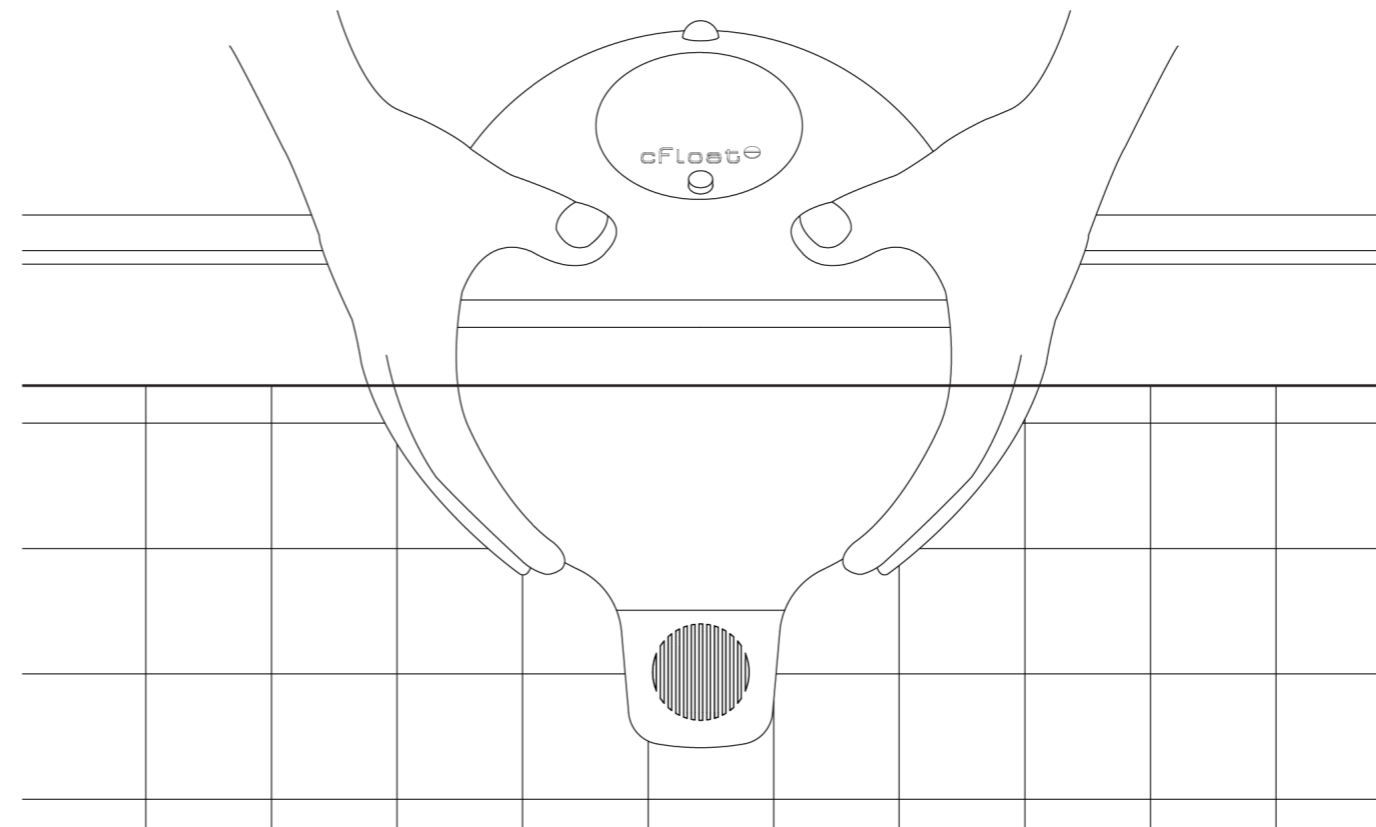


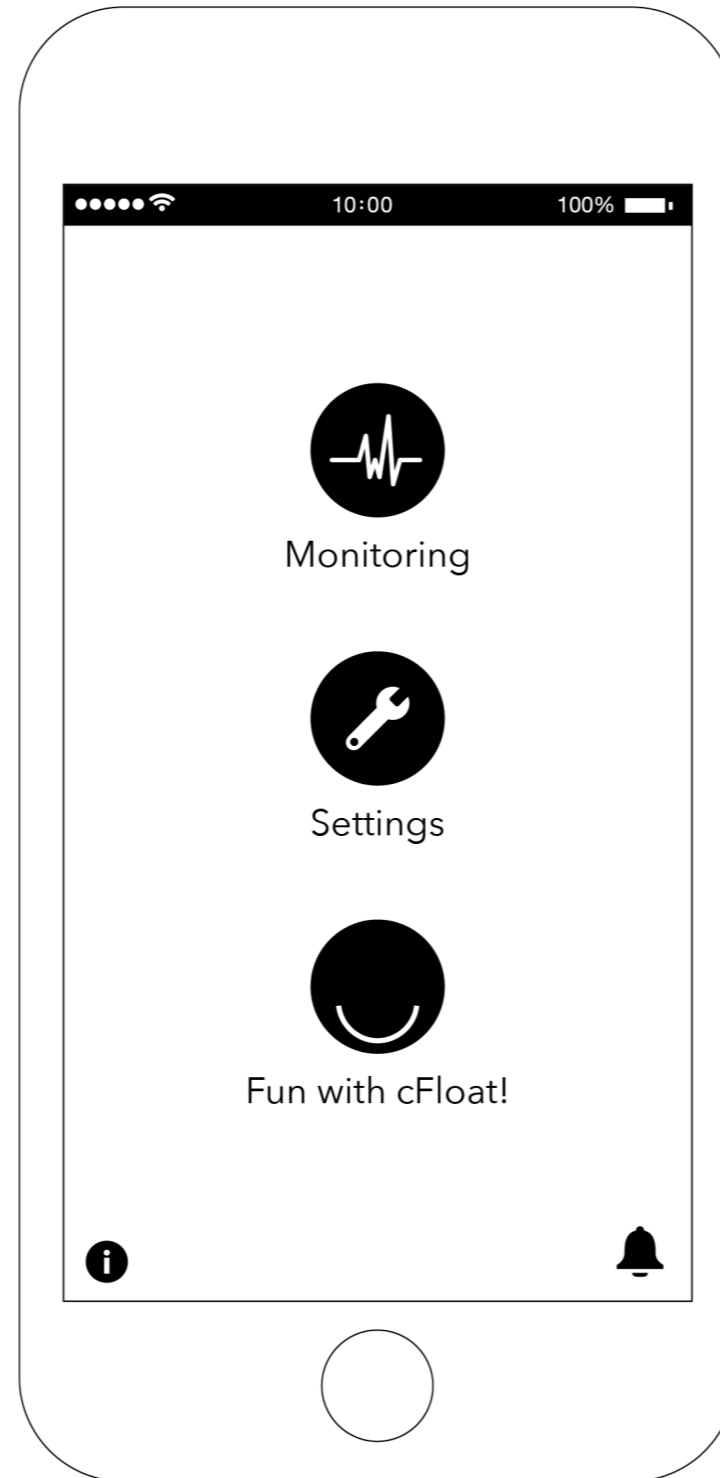
NOTE: If your swimming pool's dimensions and pool GPS location fields are not set up correctly, the 'Pool Evaporation' values displayed by the cFloat App may not be accurate.

[Table of contents](#)[Requirements](#)[Meet your cFloat](#)[cFloat System Setup](#)[Operating Instructions](#)[Safety and Alarm](#)[Maintenance](#)[Device Compatibility](#)[Service and Support](#)[Recycling and Disposal](#)[About cFloat Measurements](#)

STEP 6 - PLACE THE CFLOAT BUOY IN THE SWIMMING POOL

While holding the cFloat Buoy in the water, wait for a few seconds until the colored ring on the buoy is aligned with the water level in the pool. The buoy will fill with water and air will vacate the buoy.

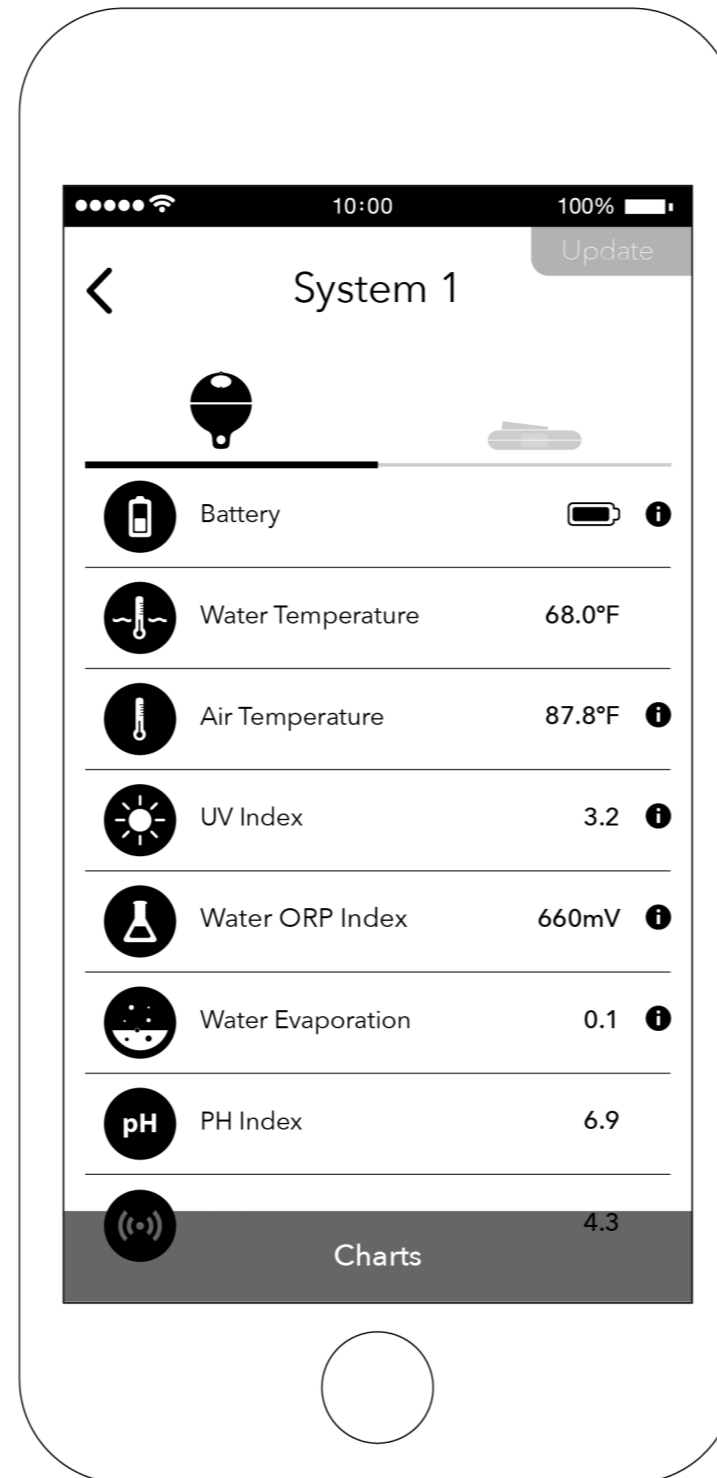




After you sign in on the cFloat App, the home screen will provide 3 options to choose from:

- Monitoring
- Settings
- Fun with cFloat!

NOTE: A shortcut to the alarm settings is also provided on the home screen.



Selecting the 'Monitoring' menu option allows you to see the measurements recorded by the buoy from the pool water and the surrounding environment, as well as the indoor measurements recorded by the gateway inside your home.

When you select the buoy icon, the outdoor measurements list will be displayed. When you select the gateway icon, the indoor measurements list will be displayed. You can also swipe from one screen to the other.

The Charts option at the bottom of the screen will allow you to see daily, weekly or monthly historical data.

When there is a firmware upgrade available an update flag will appear in the upper right corner. Click to activate the firmware update process.

Selecting the '**Settings**' menu option allows you to make changes to your cFloat System configuration settings:

Network: View or change your network connection.

Water Treatment: Select either salt or chlorine pool water treatment.

Units: Select either metric or imperial units.

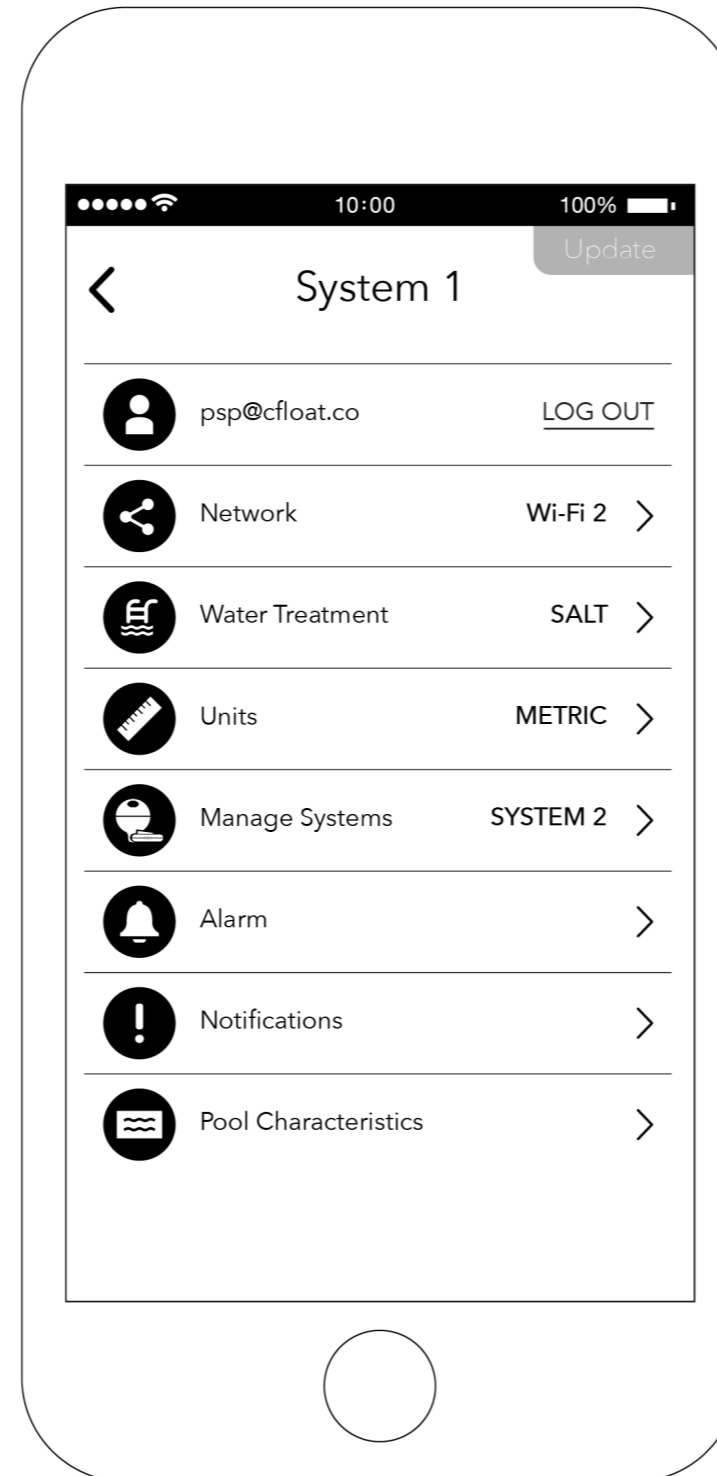
Manage Systems: View, Rename or Delete your system.

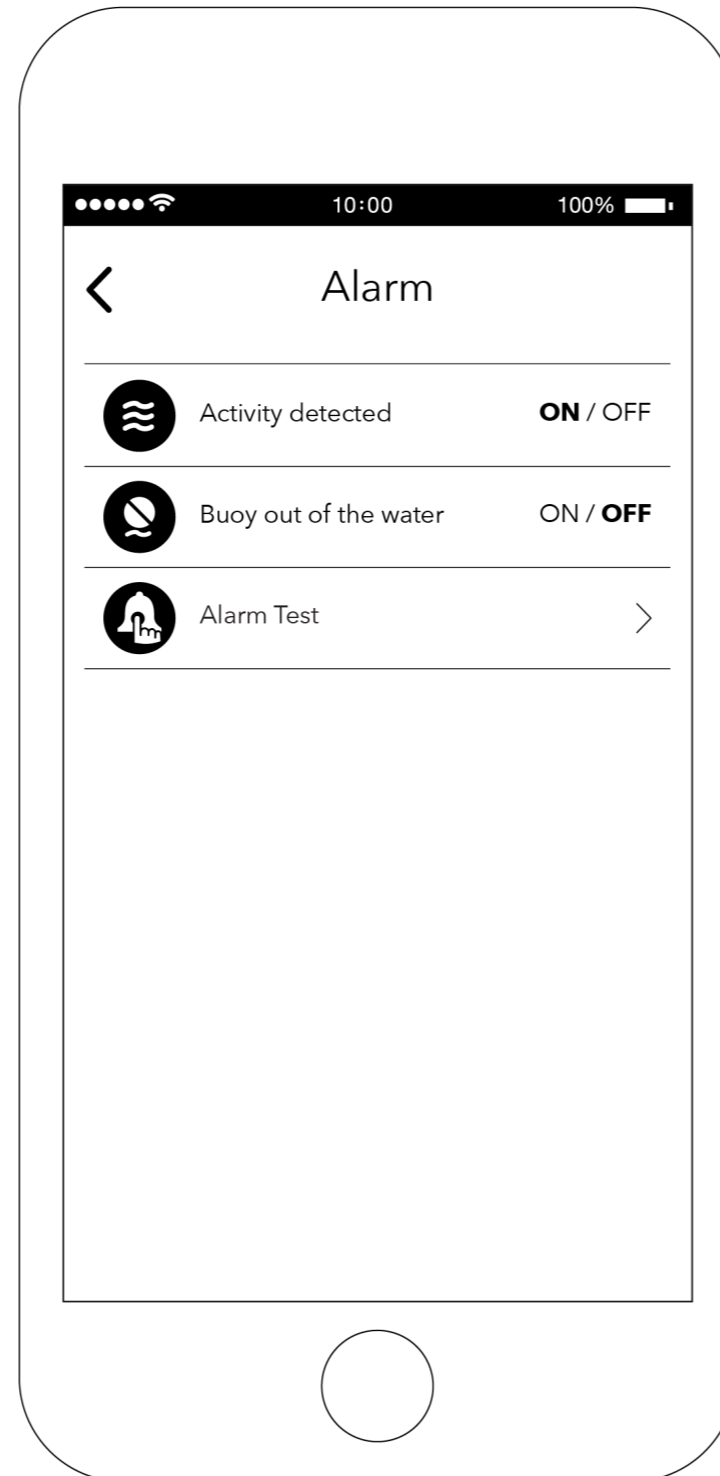
Alarms: Manage your alarm system settings.

Notifications: Manage your notifications settings.

Pool Characteristics: View or edit your swimming pool dimensions. You can see if the GPS Location is set to ON or OFF. To change it, go to your smartphone settings and allow the cFloat APP to access your swimming pool location.

Update Flag in the upper right corner: When there is a firmware upgrade available this flag will appear. Click to activate the firmware update process.





Manage your alarm system settings. There are two alarms associated with the cFloat Buoy that can be turned ON or OFF.

One alarm detects motion in the pool water. The other detects when the buoy is out of the water.

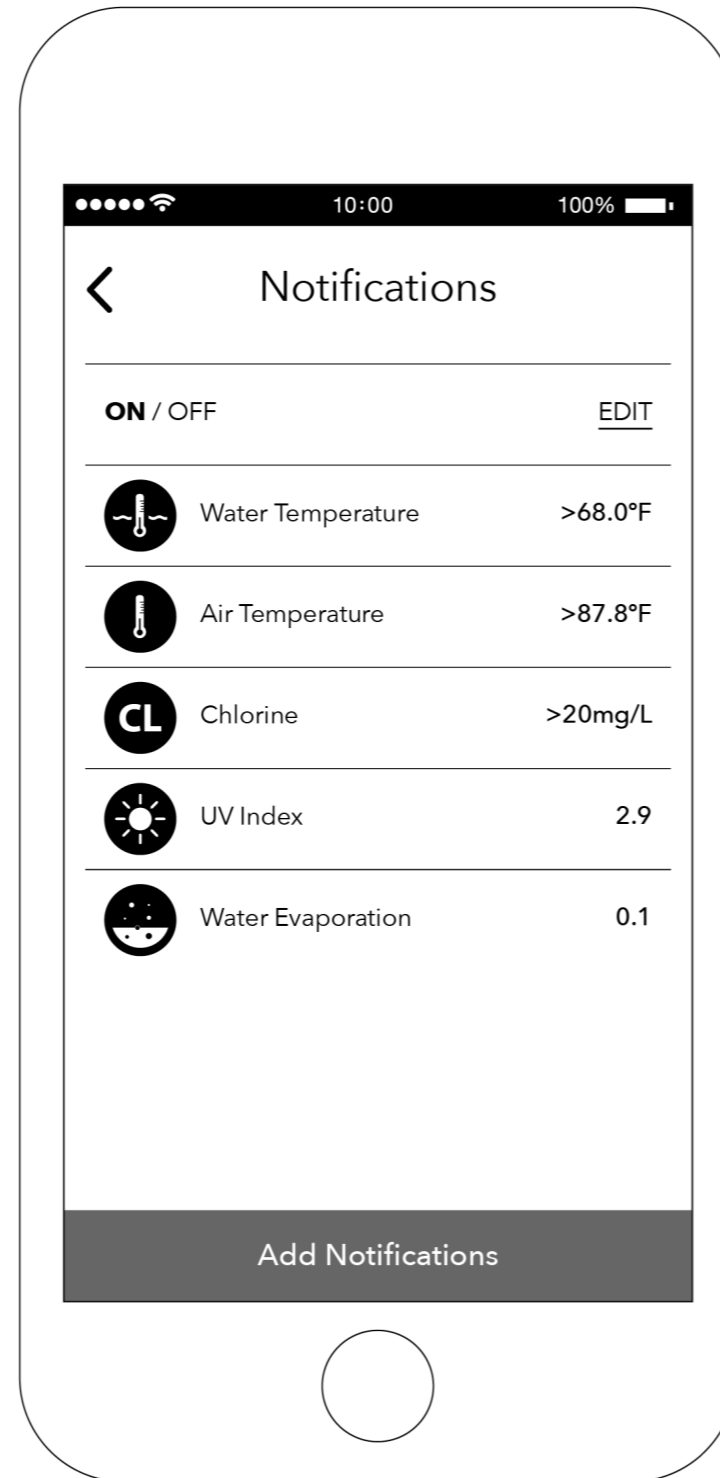
When cFloat Buoy detects motion in the water, an audible alarm will sound in the cFloat Gateway and a notification is sent to the connected devices (smartphone and/or tablet).

To test the communication between the cFloat Buoy and the cFloat Gateway you can click the 'Alarm Test' option. The cFloat Gateway will sound the audible alarm and an Alarm Test notification will appear on your devices.

NOTE: A shortcut to the alarm settings is also provided on the home screen.

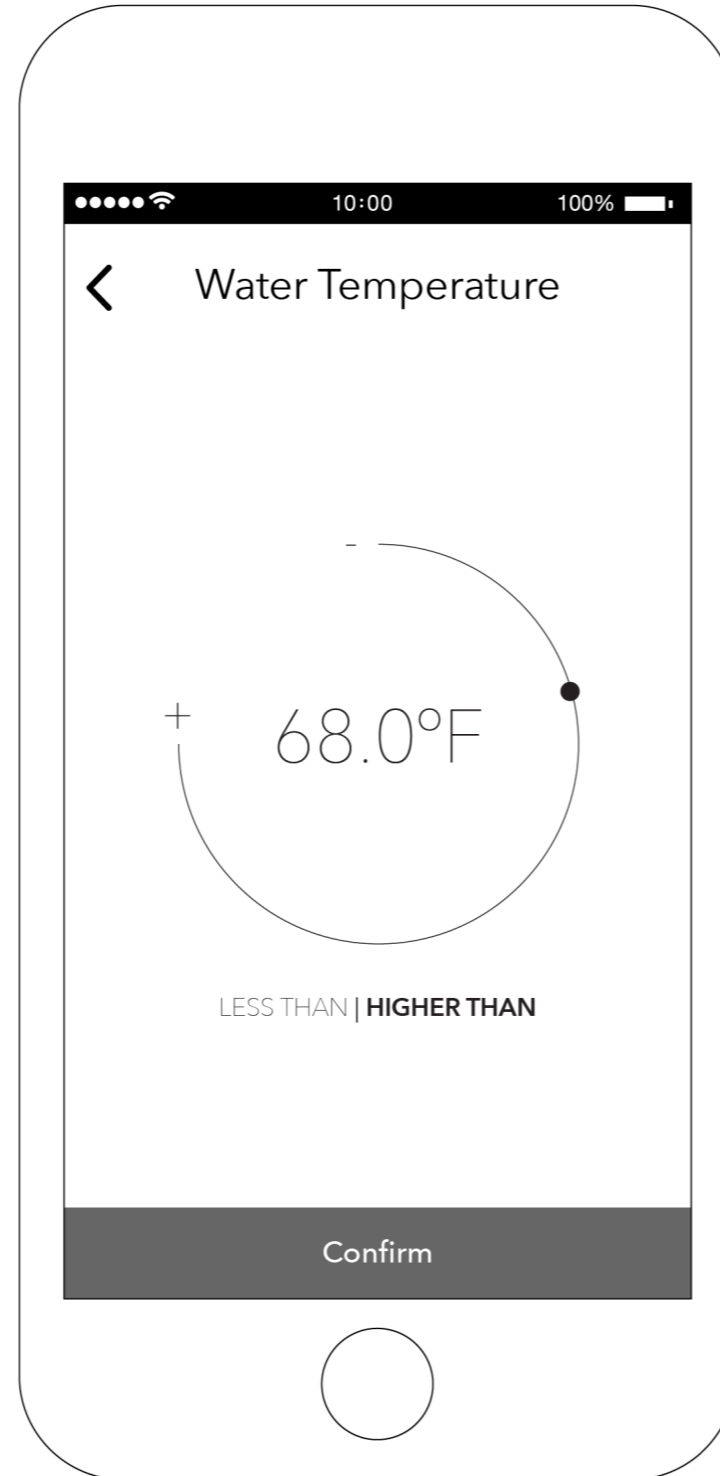
Manage notifications settings

You can add or delete notifications. The 'Add Notification' option at the bottom of the screen will allow you to add notifications.



OPERATING INSTRUCTIONS

SET NOTIFICATIONS



After selecting the parameter you want to add, you must set the notification threshold value by sliding the dot to the desired value. Then select the 'LESS THAN' or 'HIGHER THAN' indicator. EXAMPLE: According to this screen, you will receive a notification when the water temperature rises above 68°F.

! WARNING: Notifications will

not be displayed:

- If the cFloat App Notifications is turned off in your devices' settings.
- If the gateway is not plugged into a power outlet with the USB power adapter.
- If your home's Wi-Fi network connection is not functioning.
- If the cFloat Buoy or your paired devices (smartphone, tablet) are without power.

[Table of contents](#)[Requirements](#)[Meet your cFloat](#)[cFloat System Setup](#)[Operating Instructions](#)[Safety and Alarm](#)[Maintenance](#)[Device Compatibility](#)[Service and Support](#)[Recycling and Disposal](#)[About cFloat Measurements](#)

TROUBLESHOOTING THE MONITORING FUNCTION

Some of the reasons information may be missing or not properly displayed in the Monitoring function of cFloat:

Reason 1: The gateway is without power.

The cFloat Gateway may not be connected to the power source. Unplug the power adapter and then plug it back in.

Reason 2: The Wi-Fi signal is too weak.

If the cFloat Gateway is located too far from your Wi-Fi router or separated by solid obstacles such as concrete walls, the gateway might not be able to transmit and receive data correctly.

In that case, please be sure to place the cFloat Gateway closer to your Wi-Fi router.

Reason 3: The radio signal is weak.

If the distance between the cFloat Buoy and the cFloat Gateway is more than 300 feet, data might not be transmitted correctly. In that case, please move the gateway to a room closer to your swimming pool.

[Table of contents](#)[Requirements](#)[Meet your cFloat](#)[cFloat System Setup](#)[Operating Instructions](#)[Safety and Alarm](#)[Maintenance](#)[Device Compatibility](#)[Service and Support](#)[Recycling and Disposal](#)[About cFloat Measurements](#)

TROUBLESHOOTING THE MONITORING FUNCTION

Reason 4: Your Wi-Fi password has changed.

If you have changed your Wi-Fi password, the cFloat Gateway will not be able to connect to your Wi-Fi network and upload the data to your account. Please set up your new Wi-Fi password in your cFloat Account using the cFloat App.

Reason 5: Internet access is down.

If the cFloat System can access your Wi-Fi router, but your internet access is not working, please check your internet access.

Reason 6: The cFloat Buoy battery is low.

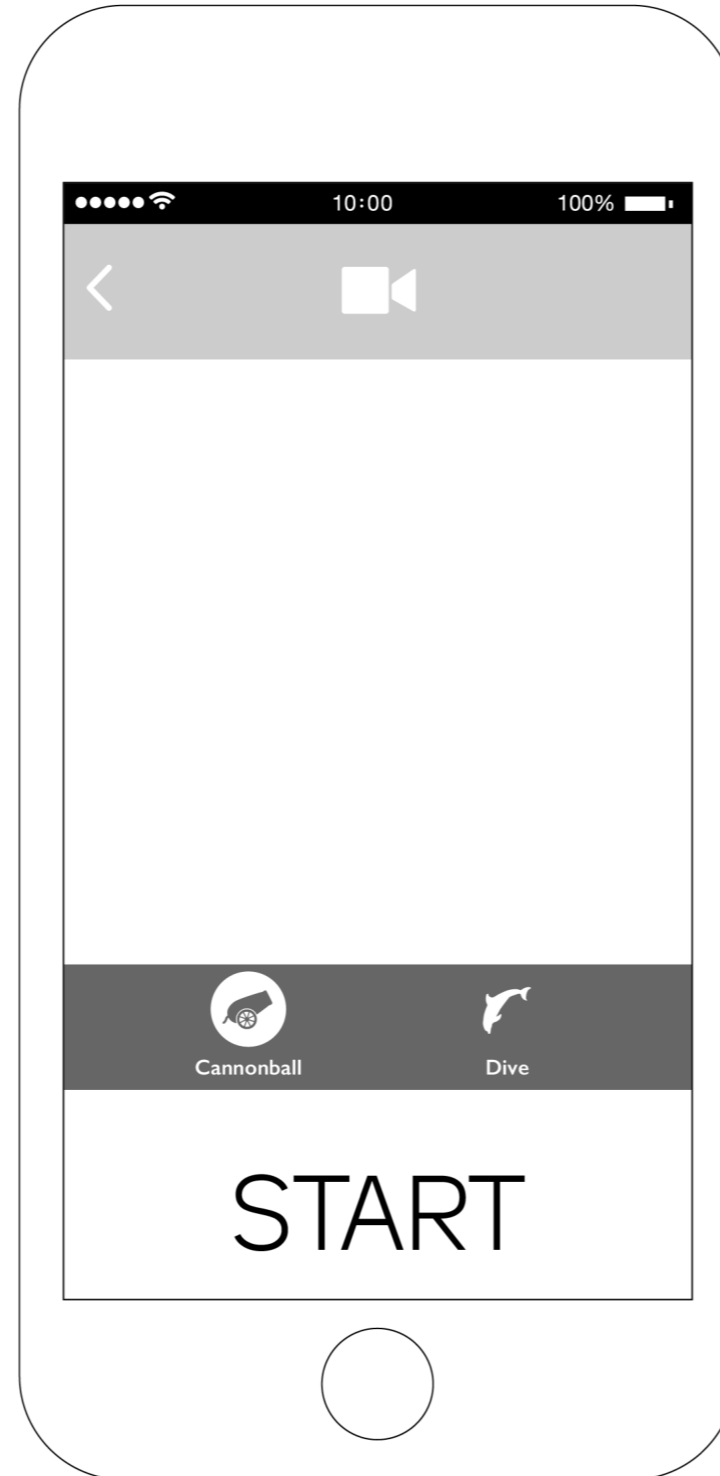
Please use the cFloat App to check the cFloat Buoy battery level. If the battery level is low, please charge the cFloat Buoy with the cFloat Charger from the cFloat Gateway.

Reason 7: Inaccurate air quality readings

The first time that the cFloat Gateway is used, it is essential that a break-in period of 48 hours is observed where the Gateway is powered ON to let the sensor calibrate and set itself before accurate air quality readings will be reported. After that initial break-in, each time the Gateway is powered OFF, the sensor will only require 20 minutes of run in, after power ON, to once again provide accurate air quality readings.

OPERATING INSTRUCTIONS

FUN WITH CFLOAT



'Fun with cFloat' is one of the options you can select from the Home Screen.

With cFloat it is possible to measure the size of cannonballs and the quality of dives.

Before starting to use this feature the buoy will have to wake up from the power saving sleep mode. This could take up to 1 minute.

OPERATING INSTRUCTIONS

FUN WITH CFLOAT

First select 'Perfect Dive' or 'Cannonball'. Next, choose the option to record a video, and you are ready to **START!**

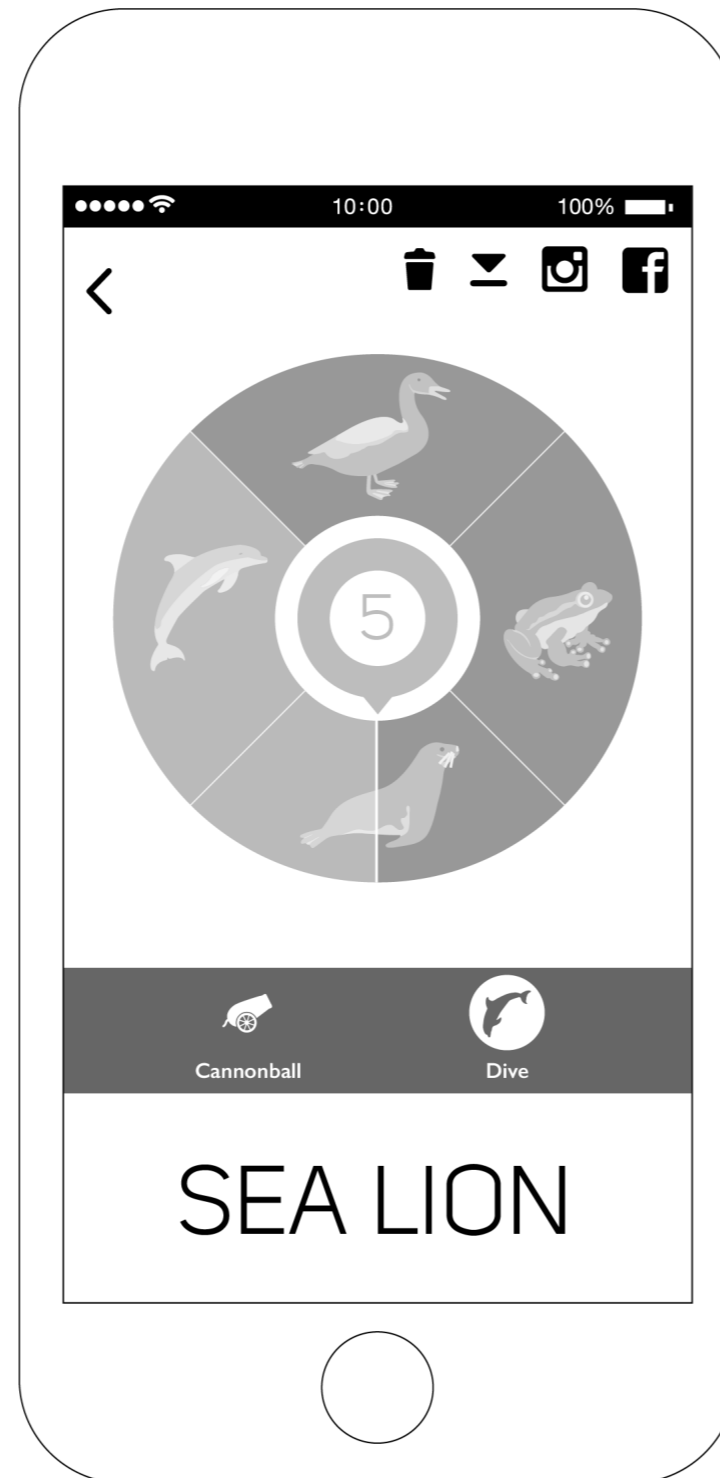
Depending on your mobile device, you are given the option to record a video of the dive. A countdown screen and the direction 'GO' will be displayed.



OPERATING INSTRUCTIONS

FUN WITH CFLOAT

After the swimmer dives into the pool, the cFloat App will provide the respective skill rating. After your dive is complete, you have the option to save the recorded video in your smartphone library to share with your friends and family. **HAVE FUN!**



WIRELESS CHARGING CONVENIENCE

Table of contents

Requirements

Meet your cFloat

cFloat System Setup

Operating Instructions

Safety and Alarm

Maintenance

Device Compatibility

Service and Support

Recycling and Disposal

About cFloat Measurements

With the cFloat Gateway Qi charger you can say goodbye to twisted wires and lost charging cables. The cFloat Gateway wireless charging feature uses Qi Inductive Charging Technology (for Qi-compatible devices), which eliminates the need to use charging cables each time you want to charge your device.

The cFloat Gateway Qi charger has been certified by the Wireless Power Consortium which guarantees compatibility and proper operation with all Qi-Enabled devices that also have been certified and carry the Qi certified logo.

A good location for the cFloat Gateway is your living room, where it will always be ready to provide wireless power whenever you set your device on top of it.

Successful communications between the cFloat Buoy and the cFloat Gateway require that the gateway always be plugged in to a wall outlet.

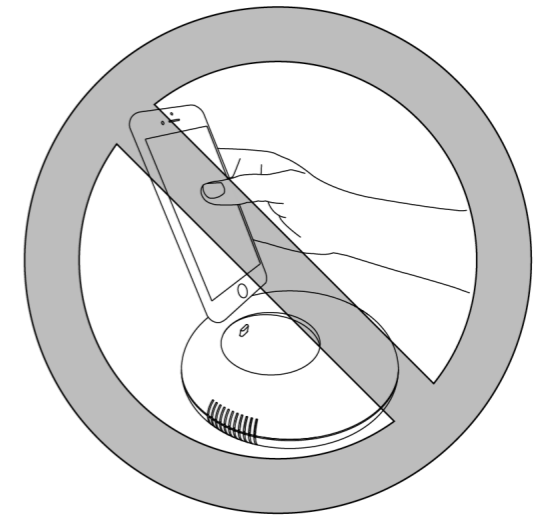
Consequently, the cFloat Gateway wireless charging feature is always ready and easy to use. You just need to place the device on the top of the cFloat Gateway to charge the device's battery.

You will hear a beep that alerts you if the device is properly aligned and when a good charge alignment has been achieved.

[Table of contents](#)[Requirements](#)[Meet your cFloat](#)[cFloat System Setup](#)[Operating Instructions](#)[Safety and Alarm](#)[Maintenance](#)[Device Compatibility](#)[Service and Support](#)[Recycling and Disposal](#)[About cFloat Measurements](#)

! WARNING: The Qi-Induction charging process generates a lot of heat both on your mobile device and on the Qi-Charger. Be mindful when you touch the charger or your device after a prolonged charging period. You should remove your device from the cFloat Qi charger as soon as charging is completed

! WARNING: In order to use wireless charging, do not remove the charger from the gateway. Do not try to charge your devices directly on the micro-USB connector of the gateway.



! WARNING: Magnetic stripe cards, including credit cards, phone cards, and boarding passes, may be damaged by magnetic fields. Please keep them away from the charger.

! WARNING: Do not touch your mobile device or your charger with wet hands.

[Table of contents](#)[Requirements](#)[Meet your cFloat](#)[cFloat System Setup](#)[Operating Instructions](#)[Safety and Alarm](#)[Maintenance](#)[Device Compatibility](#)[Service and Support](#)[Recycling and Disposal](#)[About cFloat Measurements](#)

TROUBLESHOOTING THE WIRELESS CHARGING FUNCTIONS

1. The mobile device is not charging.

Check that the mobile device is correctly placed on top of the charger. The charger uses a coil with a diameter that is approximately the same size as the charger diameter. Please consult the user manual of the mobile device to guide you in the alignment process of the charger coil with the device coil.

2. The charger is beeping continuously.

Continuous beeping indicates that an error has occurred. Please remove the device from the charger for a few seconds and position it again on top of the charger. If the problem persists, the mobile device may not be Qi-compatible.

3. The charger beeps randomly.

Random beeping indicates that the temperature on the Qi charger has exceeded its limits and signals that the unit is being disconnected and will be reconnected automatically once it cools off. Be sure that the mobile unit is properly aligned with the charger; a misalignment causes poor charging efficiency and, thus, excessive heat during the charging process. Do not keep the mobile device on top of the charger for longer than what is required to charge your device in order to prevent excessive heating.

[Table of contents](#)[Requirements](#)[Meet your cFloat](#)[cFloat System Setup](#)[Operating Instructions](#)[Safety and Alarm](#)[Maintenance](#)[Device Compatibility](#)[Service and Support](#)[Recycling and Disposal](#)[About cFloat Measurements](#)

cFloat by itself is not a lifesaving device and does not take the place of proper adult supervision and intervention. However, cFloat is an important addition in providing an additional layer of safety to your swimming pool.

The cFloat System uses a combination of sensors and proprietary algorithms to determine pool activity. When the cFloat Buoy detects motion in the pool water or when the system detects that the buoy is out of the water, the cFloat Gateway will trigger an audible alarm. Additionally, an alert is sent to your connected devices.

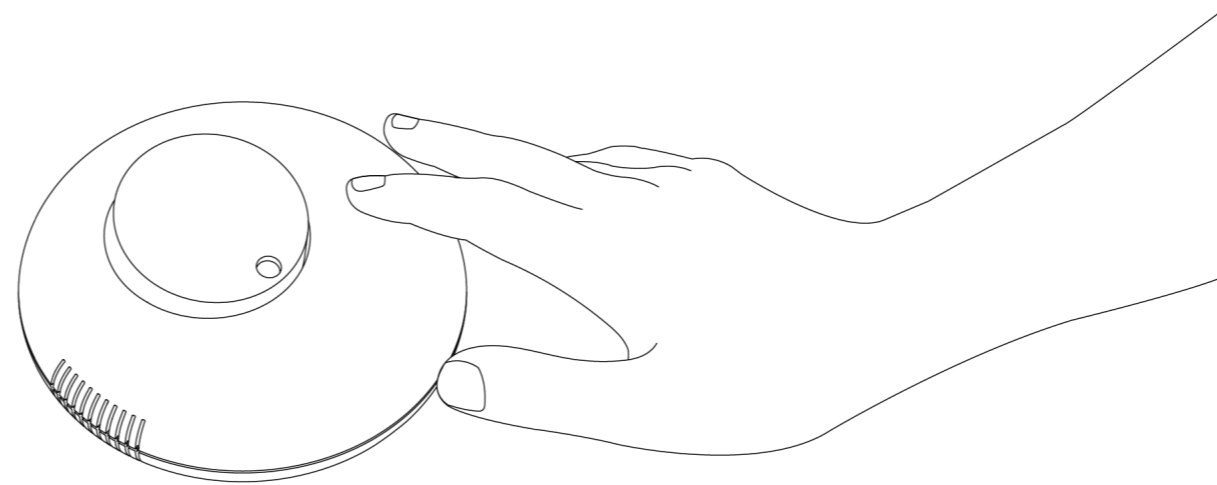
Radio link reliability, wind, pool size and shape are some factors that can affect the proper activation of the alarm. The cFloat system was optimized to a number of standard conditions.

For a more reliable operation, there should not be additional floating devices in your pool. They could dampen and disturb water motion and impair cFloat's alarm detection functionality.

You can turn the motion detection functionality off in the cFloat App to keep the audible alarm from sounding.

[Table of contents](#)[Requirements](#)[Meet your cFloat](#)[cFloat System Setup](#)[Operating Instructions](#)[Safety and Alarm](#)[Maintenance](#)[Device Compatibility](#)[Service and Support](#)[Recycling and Disposal](#)[About cFloat Measurements](#)

If the motion detection functionality is on and the alarm has started sounding, you can stop the alarm by touching right below the flashing LED on the top of the cFloat Gateway.



If you don't stop the audible alarm, the sound will automatically stop 5 minutes after it starts.

[Table of contents](#)[Requirements](#)[Meet your cFloat](#)[cFloat System Setup](#)[Operating Instructions](#)[Safety and Alarm](#)[Maintenance](#)[Device Compatibility](#)[Service and Support](#)[Recycling and Disposal](#)[About cFloat Measurements](#)

- Never leave children unattended in or around the swimming pool.
- Do not assume that swimming pool safety devices replace the need for adult supervision.
- Teach your children to swim at an early age.
- Learn child CPR (cardiopulmonary resuscitation) and other life-saving techniques.
- Keep the pool area clear of toys and other obstructions.
- Keep the water clean and uncontaminated.
- Keep security gates closed when the pool is unattended.
- Use non-slip materials on the pool deck, diving board and ladders.


CFLOAT SPECIFIC POOL SAFETY GUIDELINES

[Table of contents](#)[Requirements](#)[Meet your cFloat](#)[cFloat System Setup](#)[Operating Instructions](#)[Safety and Alarm](#)[Maintenance](#)[Device Compatibility](#)[Service and Support](#)[Recycling and Disposal](#)[About cFloat Measurements](#)

- cFloat is effective in pools up to 15' x 30'.
- cFloat is designed to detect water intrusions of weights above 25 pounds
- Do not allow children to operate the cFloat System without adult supervision.
- The cFloat Gateway is a device that sounds an alarm to indicate a potential emergency situation. When the alarm sounds, prompt action by a responsible adult is essential to prevent serious injury or death.
- Be sure a responsible adult is present to observe swimming pool activities whenever the cFloat alarm option is turned OFF.
- cFloat is designed to detect a fall into the pool. cFloat may not detect gradual entry into the pool.
- When leaving the pool area, make sure the fence gate is secured and the cFloat alarm feature is activated on the cFloat App.


[Table of contents](#)[Requirements](#)[Meet your cFloat](#)[cFloat System Setup](#)[Operating Instructions](#)[Safety and Alarm](#)[Maintenance](#)[Device Compatibility](#)[Service and Support](#)[Recycling and Disposal](#)[About cFloat Measurements](#)

CFLOAT SPECIFIC POOL SAFETY GUIDELINES

 **WARNING:** Activity in the swimming pool will not be detected and alert notifications will

not be sent to your connected devices:

- If the cFloat App Notifications is turned off in your devices' settings.
- If the gateway is not plugged into an electrical outlet with the USB power adapter
- If your home's Wi-Fi network does not work
- If your connected device is without power

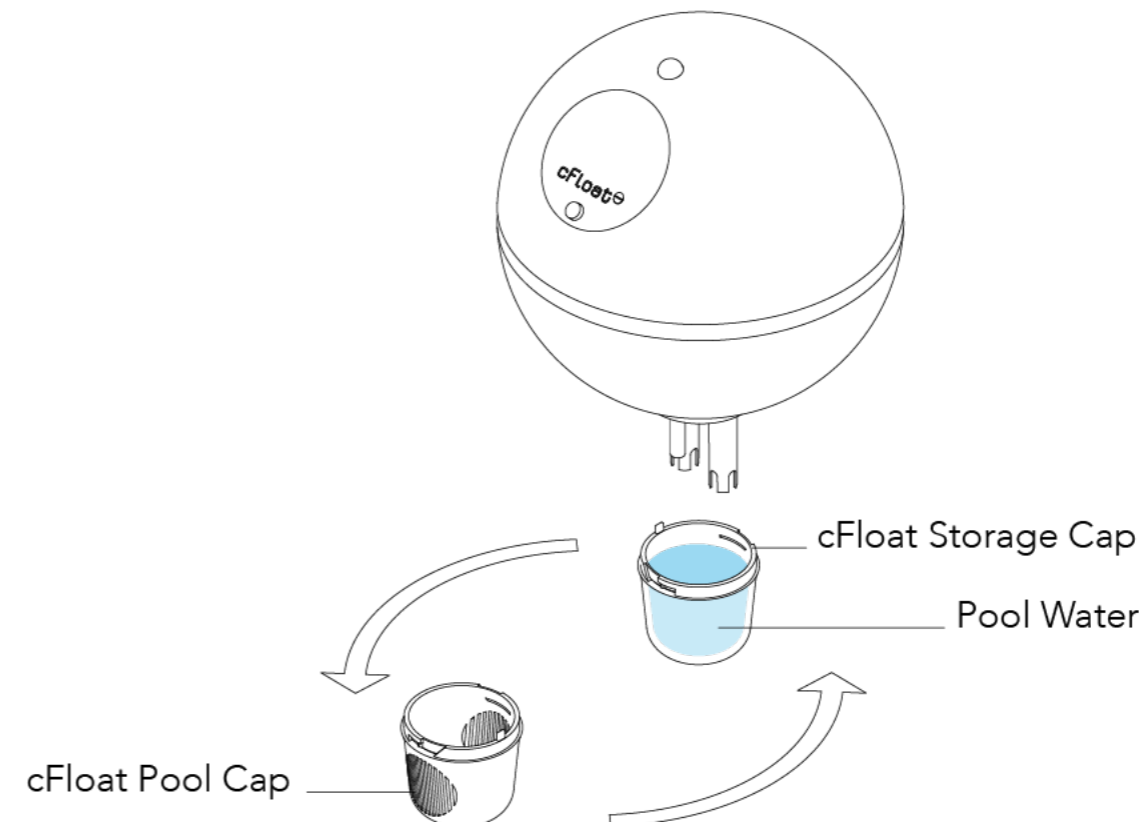
 **WARNING:** To receive cFloat motion detection notifications on smartphones, tablets, and the smartwatch, your device must have a data connection. These notifications are only as reliable as your data connection network and are not a substitute for supervision at the pool by a responsible adult.

CHARGING THE CFLOAT BUOY BATTERY

The cFloat App displays the battery level of the buoy.

When the buoy's battery needs charging, you will see the flashing empty battery indicator in the cFloat App and you will receive a notification on your connected devices. To charge the cFloat Buoy's battery you will need to:

1. Remove the buoy from the swimming pool and let all the water out of the buoy. Exchange the cFloat Pool Cap with the cFloat Storage Cap making sure that the storage cap is filled with pool water to keep the sensors moist during battery charging.



[Table of contents](#)[Requirements](#)[Meet your cFloat](#)[cFloat System Setup](#)[Operating Instructions](#)[Safety and Alarm](#)[Maintenance](#)[Device Compatibility](#)[Service and Support](#)[Recycling and Disposal](#)[About cFloat Measurements](#)

CHARGING THE CFLOAT BUOY BATTERY

2. Connect the USB cable to the cFloat Charger; then connect the cable to one of the power adapters provided, plug the power adapter into an electrical wall outlet, and place the cFloat Charger onto the cFloat Buoy. The charger has a magnet inside that will keep it affixed to the buoy. You will hear a beep and the blue LED on the charger will start blinking to let you know that the buoy started charging.

The cFloat Buoy is typically charged after approximately eight hours. When charging completes a notification will be sent to your mobile devices.

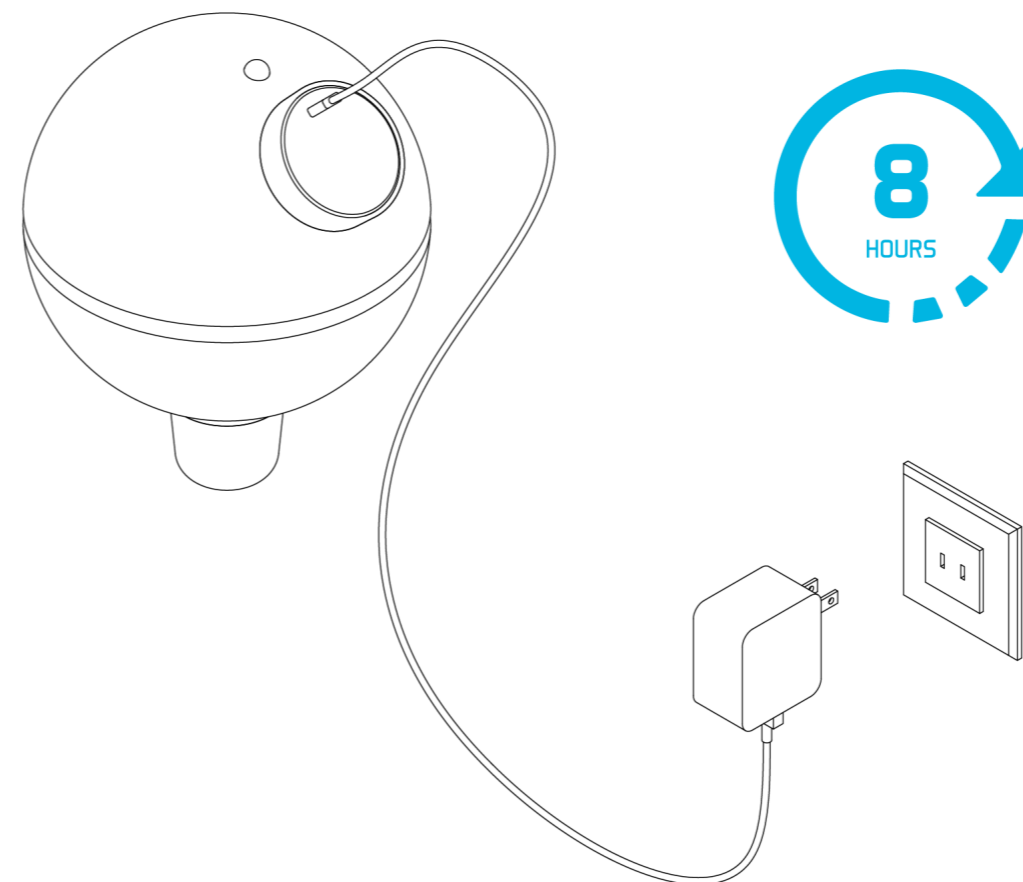


Table of contents

Requirements

Meet your cFloat

cFloat System Setup

Operating Instructions

Safety and Alarm

Maintenance

Device Compatibility

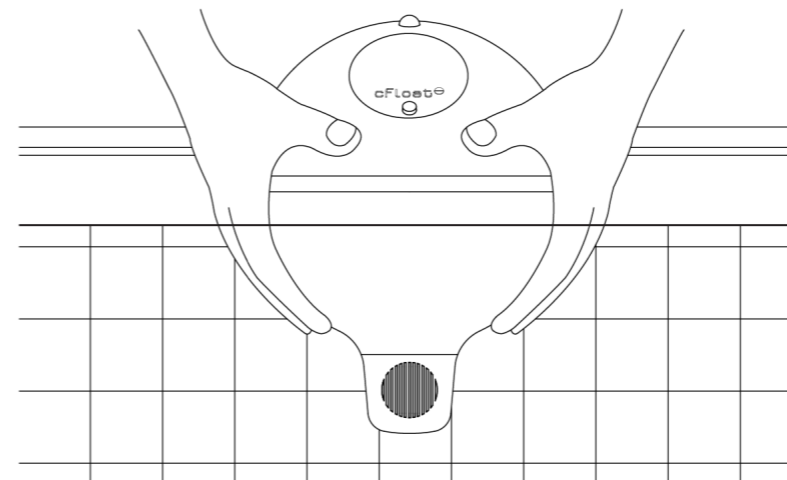
Service and Support

Recycling and Disposal

About cFloat Measurements

CHARGING THE CFLOAT BUOY BATTERY

3. Before you return the cFloat Buoy to the pool, exchange the cFloat Storage Cap for the cFloat Pool Cap.
4. Place the cFloat Buoy in the swimming pool; while holding the cFloat Buoy in the water, wait for a few seconds until the colored ring on the buoy is aligned with the water level in the pool (the buoy will fill with water and air will vacate the buoy).

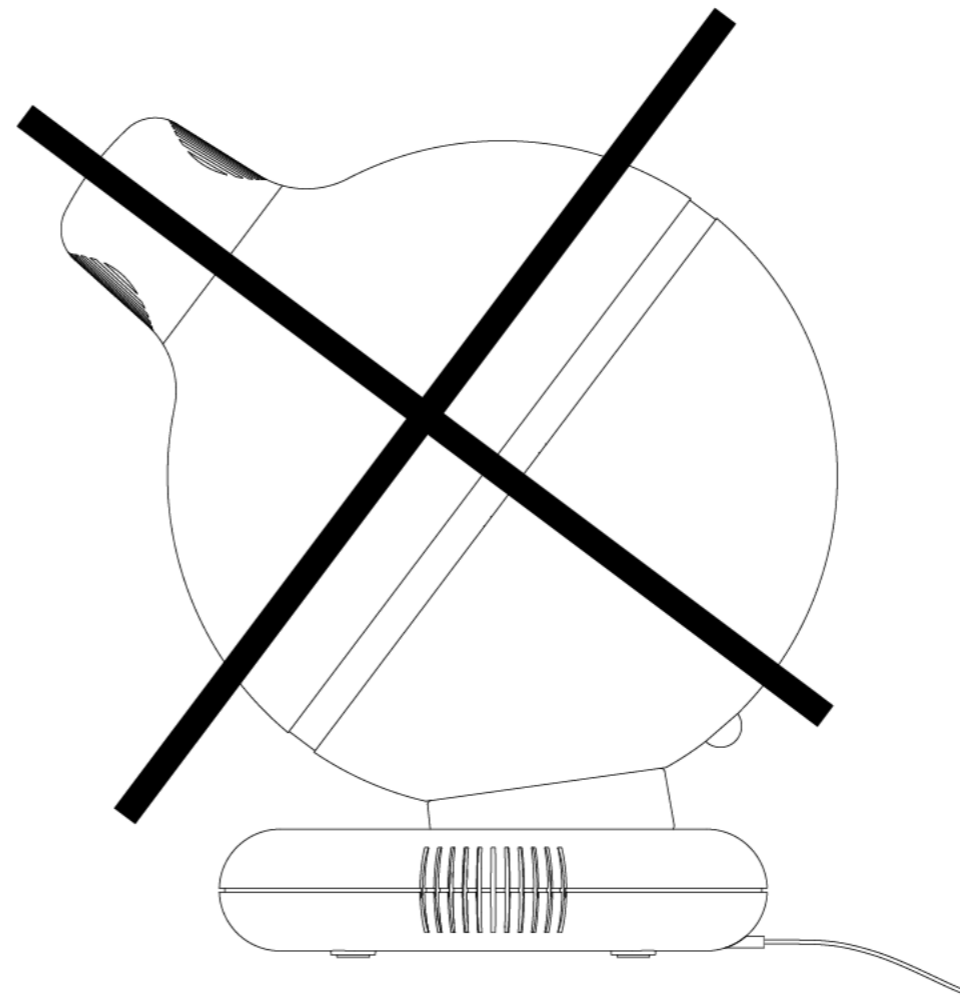


- ⚠ WARNING:** The notification alert '**LOW battery**' will not be displayed on your smartphone, tablet or smartwatch:
- If the gateway is not plugged into an electrical outlet with the USB power adapter
 - If your home's Wi-Fi network connection is not functional
 - If you prevent the cFloat APP from sending you notifications in the settings of your mobile device.

[Table of contents](#)[Requirements](#)[Meet your cFloat](#)[cFloat System Setup](#)[Operating Instructions](#)[Safety and Alarm](#)[Maintenance](#)[Device Compatibility](#)[Service and Support](#)[Recycling and Disposal](#)[About cFloat Measurements](#)

CHARGING THE CFLOAT BUOY BATTERY

! **WARNING:** Never attempt to charge your cFloat buoy directly on the gateway.



[Table of contents](#)[Requirements](#)[Meet your cFloat](#)[cFloat System Setup](#)[Operating Instructions](#)[Safety and Alarm](#)[Maintenance](#)[Device Compatibility](#)[Service and Support](#)[Recycling and Disposal](#)[About cFloat Measurements](#)

Gateway

To clean the exterior of the cFloat Gateway, first unplug the cord and then wipe the surface with a soft cloth. If necessary, and the surface is particularly dirty, after cleaning up the dust, you can use rubbing alcohol. Do not spray the rubbing alcohol directly onto the gateway. Clean the gateway with a soft cloth dampened with a small amount of rubbing alcohol.

Do not use detergents, abrasive cleaners, or other household cleaning products that may scratch the surface. Do not get the cFloat Gateway wet.

Buoy

Be careful, the buoy is very slippery when taken out of the water. Do not try to clean the buoy by holding it in your hand as it might fall. Place the cFloat Buoy on a flat surface, and wipe it with a soft cloth. If necessary, and the surface is particularly dirty, you can clean it carefully with a soft cloth dampened with a small amount of rubbing alcohol.

Do not use detergents, abrasive cleaners, or other cleaning products that may scratch the surface.

[Table of contents](#)[Requirements](#)[Meet your cFloat](#)[cFloat System Setup](#)[Operating Instructions](#)[Safety and Alarm](#)[Maintenance](#)[Device Compatibility](#)[Service and Support](#)[Recycling and Disposal](#)[About cFloat Measurements](#)

Buoy Sensors

To clean the cFloat Buoy sensors, you need to remove the pool cap and rinse them carefully under clean running tap water.

Do not use detergents, abrasive cleaners, or other cleaning products that may scratch the surface.



WARNING: Wet objects can easily slip from your hands and fall. Please be extremely careful taking the cFloat Buoy out of the swimming pool and as you are cleaning it.

Sensors should be calibrated every pool season. The cFloat App will guide you through the calibration process.

[Table of contents](#)[Requirements](#)[Meet your cFloat](#)[cFloat System Setup](#)[Operating Instructions](#)[Safety and Alarm](#)[Maintenance](#)[Device Compatibility](#)[Service and Support](#)[Recycling and Disposal](#)[About cFloat Measurements](#)

There are some situations where you might want to restart or reset your cFloat.

How to manually restart

Manually restarting cFloat is similar to turning off a computer instead of shutting it down. If you manually turn off and restart your cFloat System, you could lose some unsaved information.

Consequently, we only recommend a manual restart if the cFloat system has become unresponsive.

Table of contents

Requirements

Meet your cFloat

cFloat System Setup

Operating Instructions

Safety and Alarm

Maintenance

Device Compatibility

Service and Support

Recycling and Disposal

About cFloat Measurements

The cFloat System can be monitored with several different devices.

The cFloat App can be installed on your smartphone, tablet, smartwatch and AppleTV.

The Alarm notifications and '**Fun with cFloat!**' will not be available on the AppleTV version.

	Smartphone	Tablet	AppleWatch	AppleTv
Settings	✓	✓	✗	✗
Monitoring	✓	✓	✓	✓
Alarm	✓	✓	✓	✗
Fun With cFloat!	✓	✓	✗	✗

Table of contents

Requirements

Meet your cFloat

cFloat System Setup

Operating Instructions

Safety and Alarm

Maintenance

Device Compatibility

Service and Support

Recycling and Disposal

About cFloat Measurements

The cFloat System contains no parts that the user can repair. If your cFloat needs servicing, contact the cFloat Support Team by sending an email to: support@cfloat.info

[Table of contents](#)[Requirements](#)[Meet your cFloat](#)[cFloat System Setup](#)[Operating Instructions](#)[Safety and Alarm](#)[Maintenance](#)[Device Compatibility](#)[Service and Support](#)[Recycling and Disposal](#)[About cFloat Measurements](#)

Dispose of your cFloat in accordance with all applicable local regulations.

cFloat must be disposed of separately from general household waste.

When cFloat reaches its end of life, take it to a designated waste collection center in your area for safe disposal and recycling. This action will help conserve natural resources and protect human health and the environment.

By properly disposing of the cFloat System, you are helping to prevent harmful consequences for the environment and human health that could result from inappropriate treatment of the product.

Recycling materials protects natural resources. Do not attempt to remove the internal battery and other components yourself.

ABOUT CFLOAT MEASUREMENTS

POOL WATER AND OUTDOOR AIR TEMPERATURE

By monitoring the temperature of the water in a swimming pool and the surrounding air, it is possible to save energy and money.

Generally, the hotter pools are the more cleaning and chemicals are needed to slow the growth of algae.

[Table of contents](#)[Requirements](#)[Meet your cFloat](#)[cFloat System Setup](#)[Operating Instructions](#)[Safety and Alarm](#)[Maintenance](#)[Device Compatibility](#)[Service and Support](#)[Recycling and Disposal](#)[About cFloat Measurements](#)

Exposure to sunlight can be very pleasant but it can also pose dangerous exposure risks.

Overexposure to ultraviolet (UV) radiation from the sun can result in painful sunburns. It can lead to more serious health problems, including skin cancer, premature aging of the skin, cataracts and other eye damage, as well as immune system suppression.

To safely enjoy your time in the sun, please consider the following recommendations:

- Avoid getting sunburned.
- Apply sunscreen:
 - 20 minutes before going outside
 - Liberally apply sunscreen with a Sun Protection Factor (SPF) of at least 15 and that provides protection from both UVA and UVB rays.
 - Re-apply sunscreen every two hours – even on cloudy days. Also re-apply sunscreen after swimming or sweating.
- Wear protective clothing.
- Find shade and stay in the shade.
- Check the UV index.

[Table of contents](#)[Requirements](#)[Meet your cFloat](#)[cFloat System Setup](#)[Operating Instructions](#)[Safety and Alarm](#)[Maintenance](#)[Device Compatibility](#)[Service and Support](#)[Recycling and Disposal](#)[About cFloat Measurements](#)

The UV index is an international standard measurement of how strong the ultraviolet (UV) radiation from the sun is at a particular place on a particular day. It is a scale from 1 (low) to > 11 (extremely high). You can use the UV index to take appropriate measures to protect yourself from the sun and avoid overexposure to UV radiation.

The strength of UV radiation reaching the earth's surface is affected by several factors: time of day, time of year, latitude, altitude, cloud cover and reflection. cFloat provides UV measurements in real time.

Table of contents

Requirements

Meet your cFloat

cFloat System Setup

Operating Instructions

Safety and Alarm

Maintenance

Device Compatibility

Service and Support

Recycling and Disposal

About cFloat Measurements

Consult the UV index ratings and guidelines to protect yourself from the sun's UV rays:

UV Index	Sun protection guidelines
1 to 2 Low	<ul style="list-style-type: none"> • Wear sunglasses on bright days. • If you burn easily, wear protective clothing and use sunscreen.
3 to 5 Moderate	<ul style="list-style-type: none"> • Wear protective clothing and use sunscreen. • Stay in the shade.
6 to 7 High	<ul style="list-style-type: none"> • Protection against sunburn is needed. • Reduce time in the sun between 11 a.m. and 4 p.m. • Wear protective clothing, a hat and sunglasses, and use sunscreen.
8 to 10 VeryHigh	<ul style="list-style-type: none"> • Take extra precautions. Unprotected skin will be damaged and can burn quickly. • Try to avoid the sun between 11a.m. and 4p.m. Otherwise, seek shade, wear protective clothing, a hat and sunglasses, and use sunscreen.
>11 Extreme	<ul style="list-style-type: none"> • Take all precautions. Unprotected skin can burn in minutes. • Avoid the sun between 11a.m. and 4p.m. • Seek shade, wear protective clothing, a hat and sunglasses, and use sunscreen.

[Table of contents](#)[Requirements](#)[Meet your cFloat](#)[cFloat System Setup](#)[Operating Instructions](#)[Safety and Alarm](#)[Maintenance](#)[Device Compatibility](#)[Service and Support](#)[Recycling and Disposal](#)[About cFloat Measurements](#)

pH is a measure of the hydrogen ion concentration in water or more simply a measure of how acidic or alkaline a pool is.

The pH scale ranges from 0 to 14, with 7.0 being neutral. A pH below 7.0 indicates acidic conditions and a pH above 7.0 indicates alkaline conditions. To maintain disinfection levels and bather comfort, pH should be maintained between 7.2 - 7.6 (maximum 7.8). At a pH below 7.2 there is discomfort to bathers and corrosion to pool equipment.

[Table of contents](#)[Requirements](#)[Meet your cFloat](#)[cFloat System Setup](#)[Operating Instructions](#)[Safety and Alarm](#)[Maintenance](#)[Device Compatibility](#)[Service and Support](#)[Recycling and Disposal](#)[About cFloat Measurements](#)

Oxidation-Reduction Potential (ORP) is the potential of a disinfectant to inactivate microorganisms in a swimming pool or spa. It is a direct measure of disinfection power.

ORP measures the rate of oxidative disinfection caused by the addition of the effects of all oxidants in the pool water. ORP is determined by using a high quality ORP probe. The unit of measurement of ORP is millivolts (mV).

ORP is the potential of a disinfectant to do its work of inactivating microorganisms and oxidizing organic materials. The higher the millivolt reading, the more powerful the swimming pool water is able to oxidize and disinfect.

Compared to amperometric control (direct chlorine residual measurement), ORP is considered to be a more accurate measure of disinfection rate.

ORP is an indicator of microorganism inactivation. Drinking water is adequately disinfected at an ORP of 650 mV.

In swimming pools, an ORP of 700 to 720 mV allows for both a quick disinfection and for breakpoint chlorination (destruction of chloramines) where conditions permit.

The ORP value required in swimming pools is higher than that required for water supplies because contamination is constantly being added to swimming pools.

Home temperature monitoring ensures the comfort and safety of families, and the protection of home and valuables from damage, no matter how extreme the season is. Whether for health and allergen benefits, preventing burst water pipes, or protecting fine wines, a home temperature monitor eliminates unnecessary concerns by giving homeowners control of thermostats and temperature levels.

By monitoring indoor air temperature, homeowners can have tighter control on the cooling and heating of their home environment, ensuring family comfort while saving energy and money.

[Table of contents](#)[Requirements](#)[Meet your cFloat](#)[cFloat System Setup](#)[Operating Instructions](#)[Safety and Alarm](#)[Maintenance](#)[Device Compatibility](#)[Service and Support](#)[Recycling and Disposal](#)[About cFloat Measurements](#)

ATMOSPHERIC PRESSURE

The air has weight, and it presses against everything it has contact with. That pressure is called atmospheric pressure, or air pressure. It is the force exerted on a surface by the air above it as gravity pulls it to Earth.

An atmosphere (atm) is a unit of measurement equal to the average air pressure at sea level at a temperature of 59 degrees Fahrenheit (15 degrees Celsius). One atmosphere is 1,013 millibars, or 29.92 inches (760 millimeters) of mercury.

As altitude increases air pressure drops. In Denali, Alaska, the air pressure is about half of air pressure on Honolulu, Hawai'i. Denali is the highest peak in North America, and Honolulu is a city at the sea level. Air pressure is an indicator of weather. When a low-pressure system moves into an area, it typically leads to cloudiness, wind, and precipitation. High-pressure systems commonly lead to fair, calm weather.

[Table of contents](#)[Requirements](#)[Meet your cFloat](#)[cFloat System Setup](#)[Operating Instructions](#)[Safety and Alarm](#)[Maintenance](#)[Device Compatibility](#)[Service and Support](#)[Recycling and Disposal](#)[About cFloat Measurements](#)

Knowing your home's humidity level is essential to improving indoor air quality and the overall health and comfort of your home. To ensure your home's air quality, the Environmental Protection Agency (EPA) suggests maintaining proper indoor relative humidity (RH) levels to reduce the effects of many unwanted conditions associated with poor indoor air quality. Relative humidity is the ratio of water vapor in the air to the maximum amount of water vapor the air can hold at a particular temperature – (e.g. when air can hold no more moisture at a given temperature [i.e. the RH is 100%], the air is saturated).

Humidity affects both thermal comfort and indoor air quality. For example:

- High RH (very moist air) will make people feel chilled in cold weather and hot and sticky in warm weather
- Low RH (very dry air) can cause dryness and discomfort in the nose and make skin feel dry and itchy.

In addition to the direct effect on comfort, humid air:

- Facilitates the growth of fungi (mold) and bacteria that can cause respiratory problems and/or allergic reactions
- Provides the conditions for dust mite populations to grow, which can affect asthma sufferers
- Results in odors in poorly ventilated spaces because of fungal growth
- Results in condensation forming on windows, walls and ceilings that are colder than the air temperature and potentially damaging building materials.

[Table of contents](#)[Requirements](#)[Meet your cFloat](#)[cFloat System Setup](#)[Operating Instructions](#)[Safety and Alarm](#)[Maintenance](#)[Device Compatibility](#)[Service and Support](#)[Recycling and Disposal](#)[About cFloat Measurements](#)

Indoor Air Quality (IAQ) refers to the air quality inside and around houses, especially as it relates to the health and comfort of residents.

Offensive odors, smoke and other Volatile Organic Compounds (VOCs) have impact on human comfort, productivity, quality of life, health and well-being.

Monitoring common indoor pollutants can help reduce the risk of indoor health concerns. Health effects from poor indoor air quality may be experienced immediately after exposure or years later.

There are a considerable number of possible sources of indoor pollution:

- 'Second-hand smoke' from tobacco smoking containing noxious substances
- CO, CO₂ and methane from combustion appliances cookers, boilers, open fires and portable heaters
- Formaldehyde from composite wood furniture and fittings, fabric, glues, foam insulation
- VOCs from a wide variety of sources including construction materials, paints, glues, furniture, wallpaper and draperies, household cleaning and personal care products
- Oxides of nitrogen from combustion appliances
- Ozone from electrical appliances such as; PCs, printers and photocopiers
- Bedroom - dust and dust mites, bacteria and viruses, pet dander, VOCs from personal care products

[Table of contents](#)[Requirements](#)[Meet your cFloat](#)[cFloat System Setup](#)[Operating Instructions](#)[Safety and Alarm](#)[Maintenance](#)[Device Compatibility](#)[Service and Support](#)[Recycling and Disposal](#)[About cFloat Measurements](#)

- Living Areas – radon from soil/bedrock, CO and NO₂ from fires and wood-burning stoves, VOCs and formaldehyde from carpets, paints, glues, furniture and air fresheners, tobacco smoke, pet dander
- Kitchen – CO, NO₂ and particulates from gas cookers/stoves, VOCs from household cleaning products
- Bathroom – mold and mildew, bacteria, VOCs and other chemicals from cleaning products
- Garage – CO from car exhaust, mold and mildew, VOCs from stored paints and solvents, pesticides and herbicides
- Attic – man-made mineral fibers, asbestos, formaldehyde, dust

The cFloat Air Quality Sensor monitors the presence of VOCs substances in the room where the cFloat Gateway is installed and will alert the user to the presence of a high level of toxic elements in the air that could be reduced by providing more ventilation to that room.

The first time that the cFloat Gateway is used, it is essential that a break-in period of 48 hours is observed where the Gateway is powered ON to let the sensor calibrate and set itself before accurate air quality readings will be reported. After that initial break-in, each time the Gateway is powered OFF, the sensor will only require 20 minutes of run in, after power ON, to once again provide accurate air quality readings.